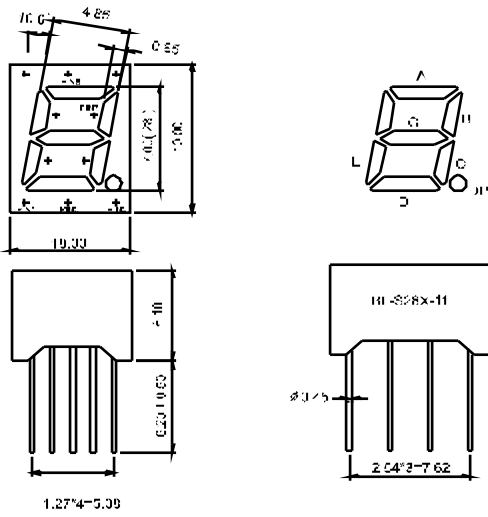


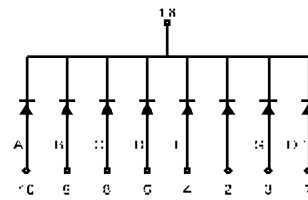
# LED Component

## SINGLE DIGIT DISPLAY

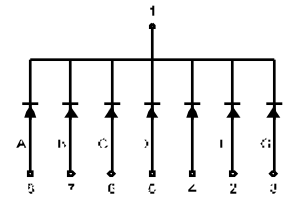
### BL-S28X-11 Series



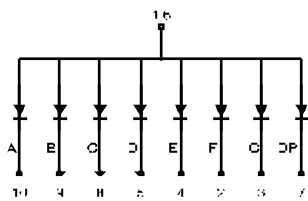
### BL-S28A-11



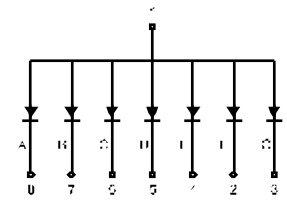
### BL-S28C-11



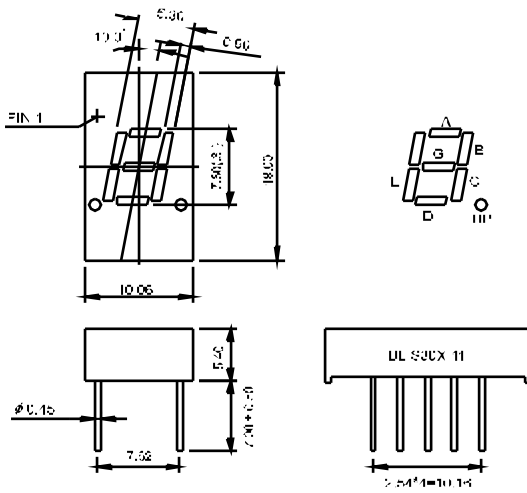
### BL-S28B-11



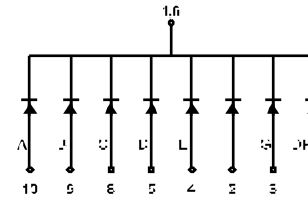
### BL-S28D-11



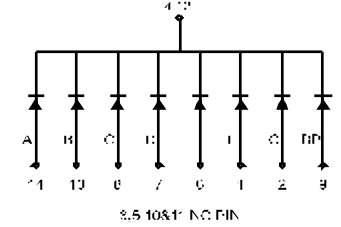
### BL-S30X-11 Series



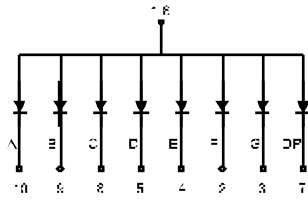
### BL-S30A-11



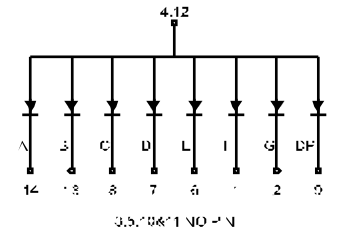
### BL-S30C-11



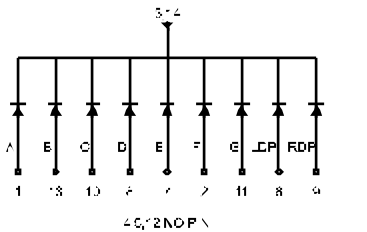
### BL-S30B-11



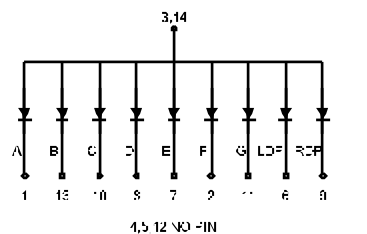
### BL-S30D-11



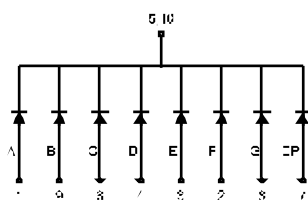
### BL-S30E-11



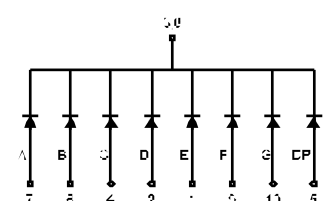
### BL-S30F-11



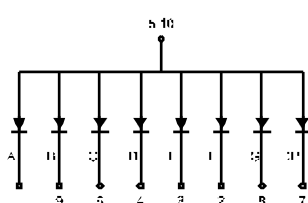
### BL-S30G-11



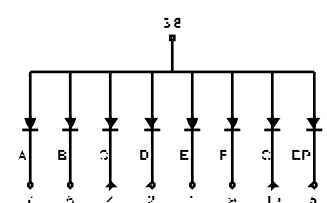
### BL-S30I-11



### BL-S30H-11



### BL-S30J-11

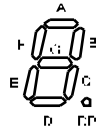
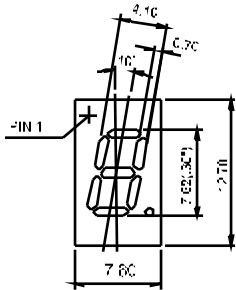


All dimensions are in millimeters (inches)  
Tolerance is  $\pm 0.25(0.01)$  unless otherwise noted.  
Specifications are subject to change without notice.

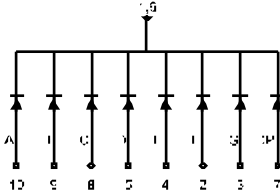
# LED Component

## SINGLE DIGIT DISPLAY

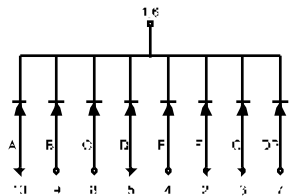
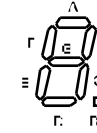
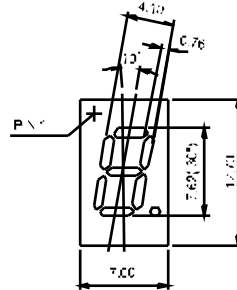
**BL-S30X-12 Series**



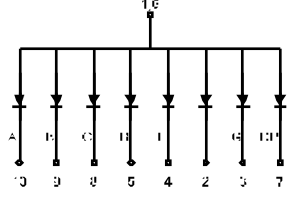
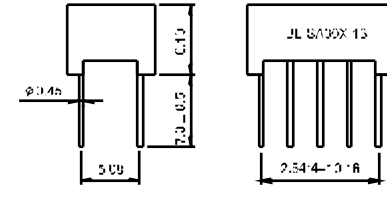
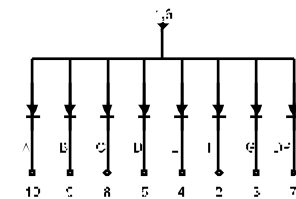
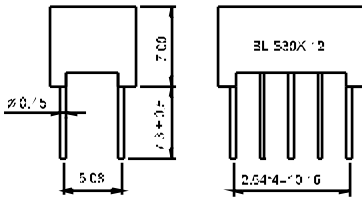
**BL-S30A-12**



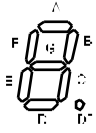
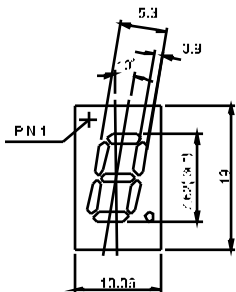
**BL-S30X-13 Series**



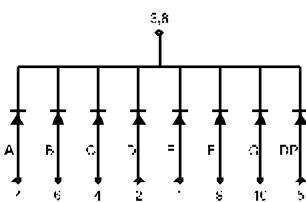
**BL-S30B-12**



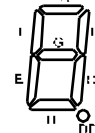
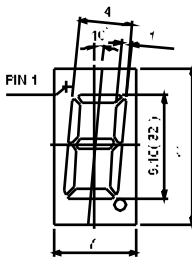
**BL-SA30X-14**



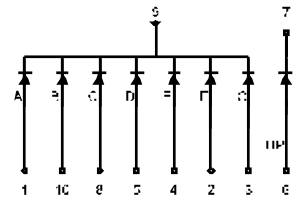
**BL-SA30A-14**



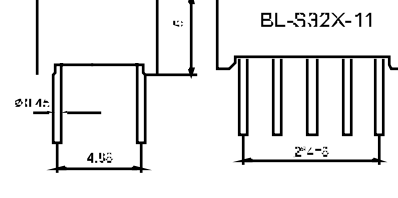
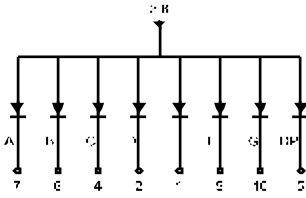
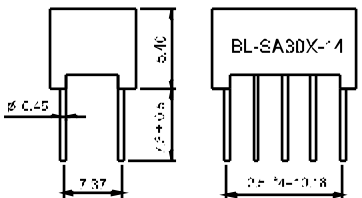
**BL-S32X-11 Series**



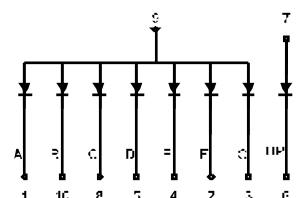
**BL-S32A-11**



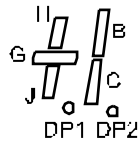
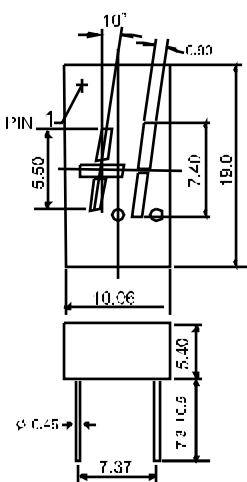
**BL-SA30B-14**



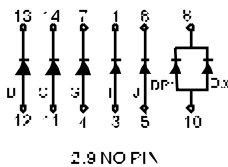
**BL-S32B-11**



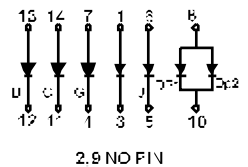
**BL-SA30X-15**



**BL-SA30A-15**



**BL-SA30B-15**

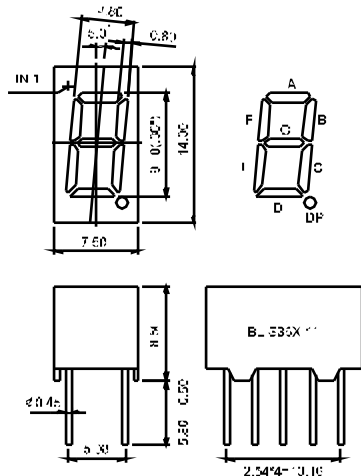


All dimensions are in millimeters (inches)  
Tolerance is  $\pm 0.25$  (0.01") unless otherwise noted.  
Specifications are subject to change without notice.

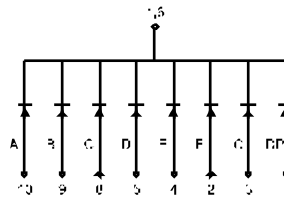
# LED Component

## SINGLE DIGIT DISPLAY

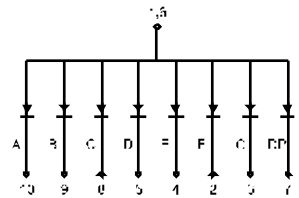
### BL-S36X-11 Series



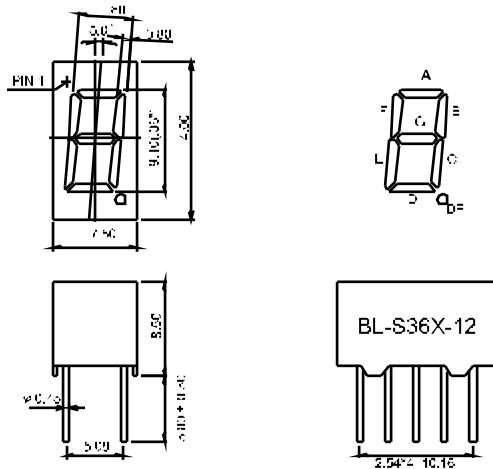
### BL-S36A-11



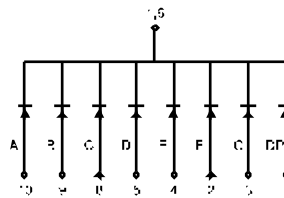
### BL-S36B-11



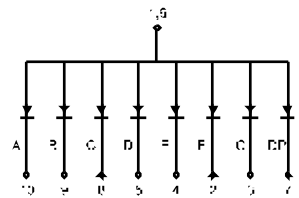
### BL-S36X-12 Series



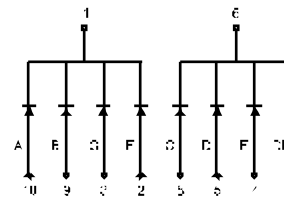
### BL-S36A-12



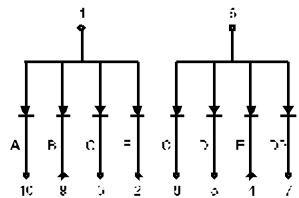
### BL-S36B-12



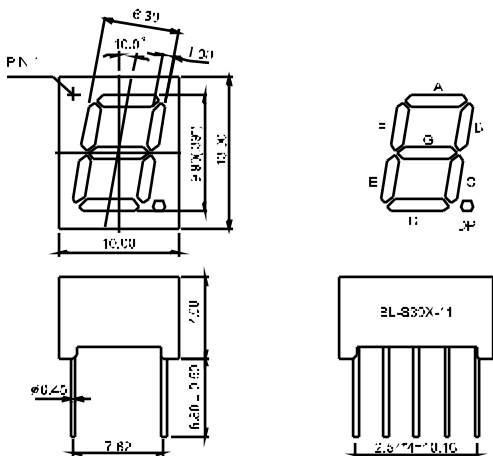
### BL-S36C-12



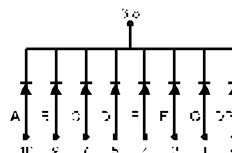
### BL-S36D-12



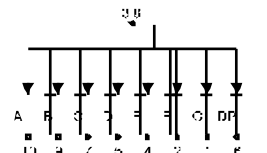
### BL-S39X-11 Series



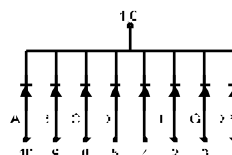
### BL-S39A-11



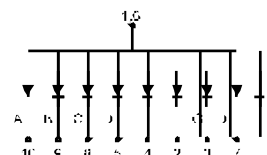
### BL-S39B-11



### BL-S39C-11



### BL-S39D-11

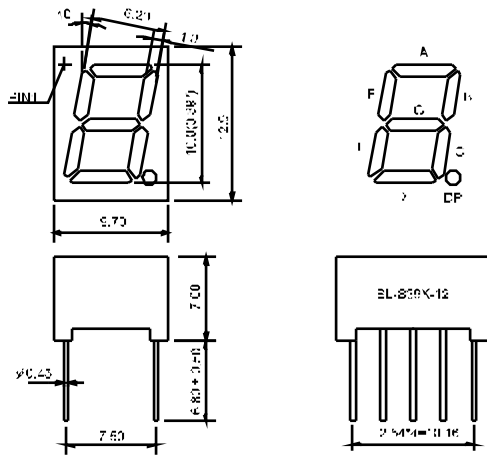


All dimensions are in millimeters (inches)  
Tolerance is  $\pm 0.25(0.01)$  unless otherwise noted.  
Specifications are subject to change without notice.

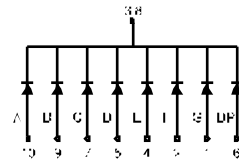
# LED Component

## SINGLE DIGIT DISPLAY

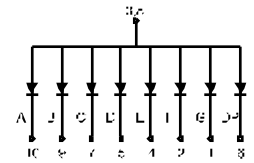
### BL-S39X-12 Series



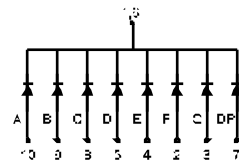
### BL-S39A-12



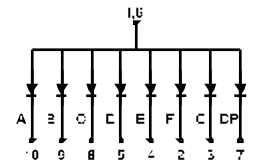
### BL-S39B-12



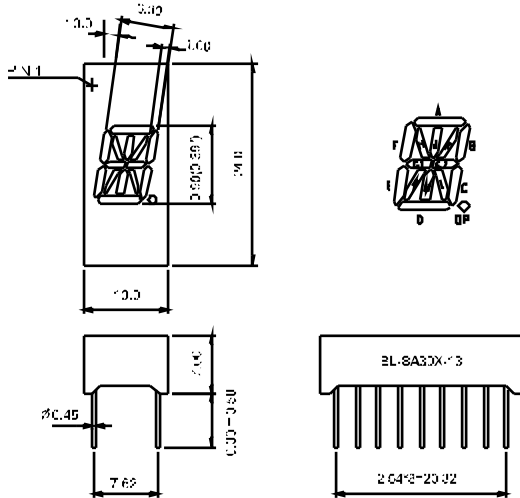
### BL-S39C-12



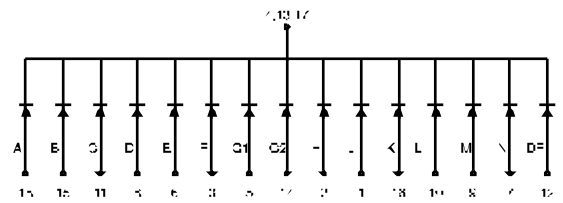
### BL-S39D-12



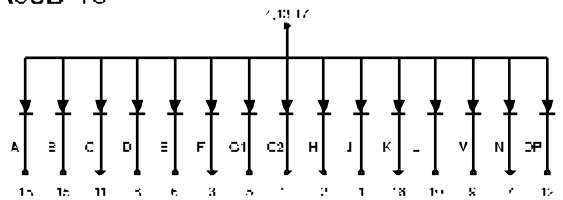
### BL-SA39-13 Series



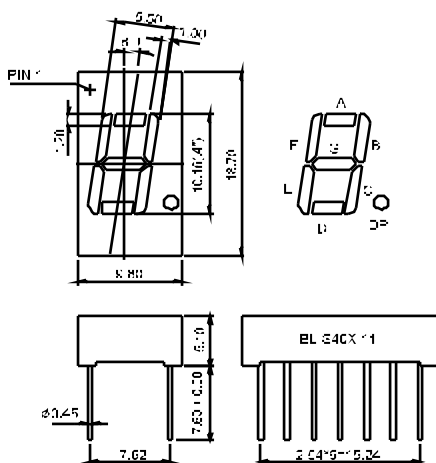
### BL-SA39A-13



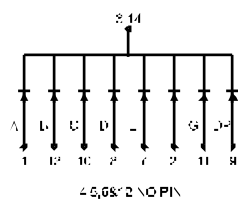
### BL-SA39B-13



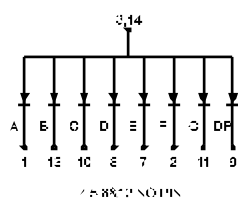
### BL-S40X-11 Series



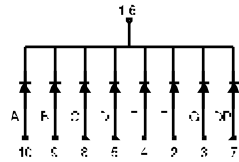
### BL-S40A-11



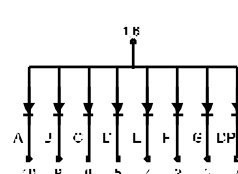
### BL-S40B-11



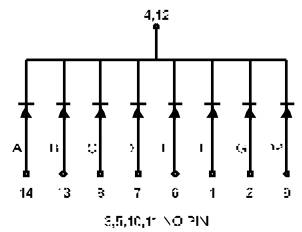
### BL-S40C-11



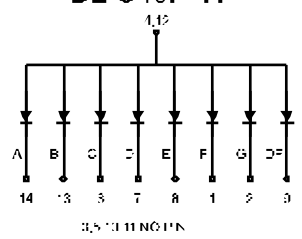
### BL-S40D-11



### BL-S40E-11



### BL-S40F-11



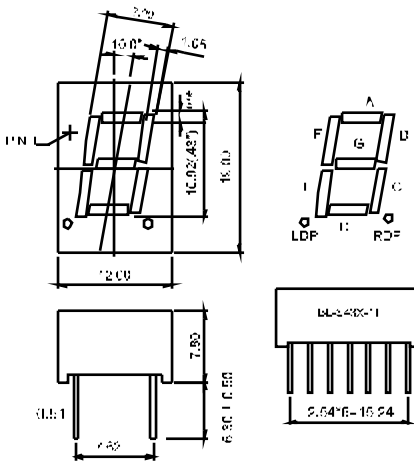
All dimensions are in millimeters (inches)  
Tolerance is  $\pm 0.25(0.01)$  unless otherwise noted.  
Specifications are subject to change without notice.

# LED Component

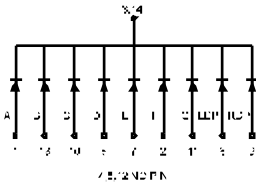


## SINGLE DIGIT DISPLAY

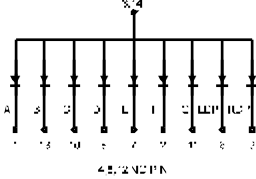
BL-S43X-11 Series



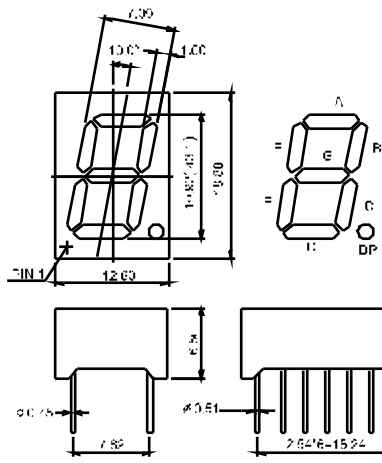
BL-S43A-11



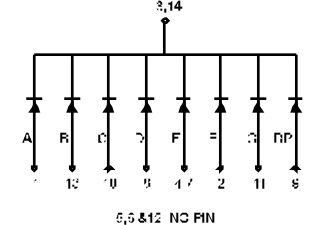
BL-S43B-11



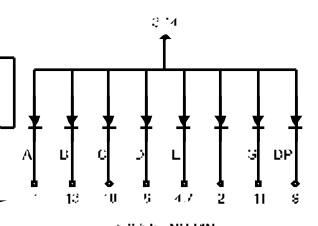
BL-S43X-12 Series



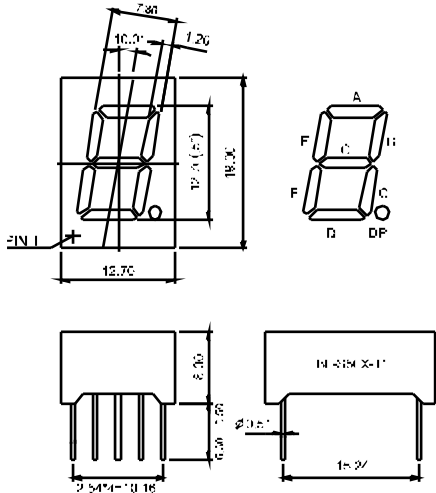
BL-S43A-12



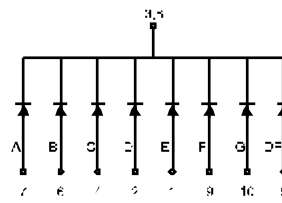
BL-S43B-12



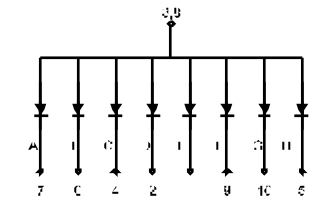
BL-S50X-11 Series



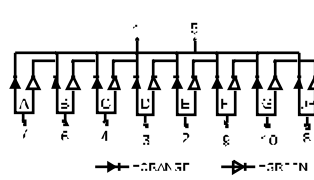
BL-S50A-11



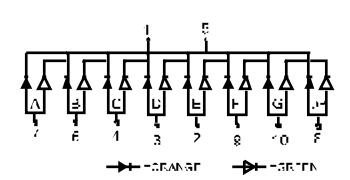
BL-S50B-11



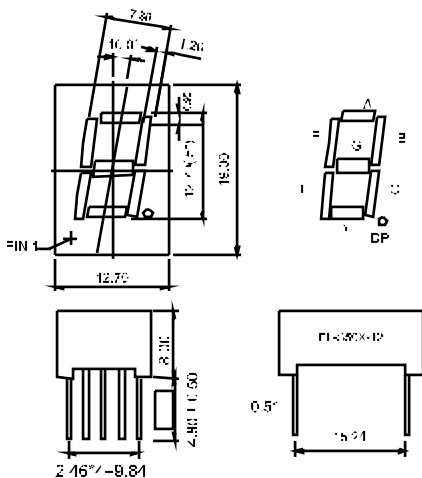
BL-S50A-11EG



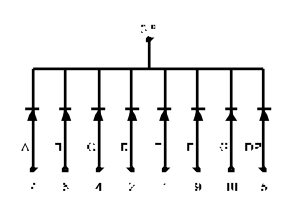
BL-S50B-11EG



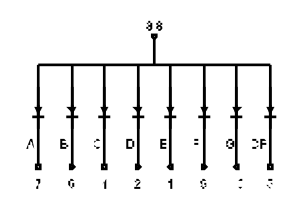
BL-S50X-12Series



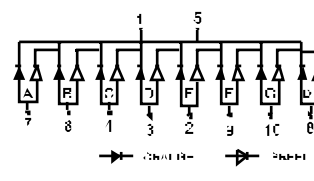
BL-S50A-12



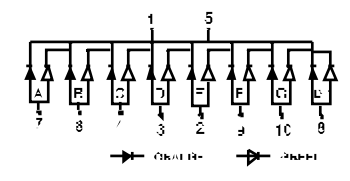
BL-S50B-12



BL-S50A-12EG



BL-S50B-12EG

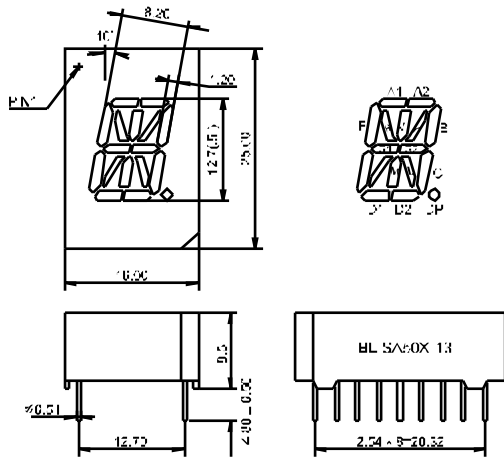


All dimensions are in millimeters (inches)  
Tolerance is  $\pm 0.25(0.01)$  unless otherwise noted.  
Specifications are subject to change without notice.

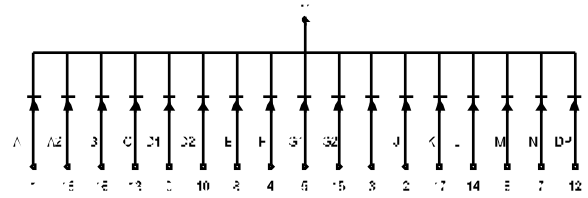
# LED Component

## SINGLE DIGIT DISPLAY

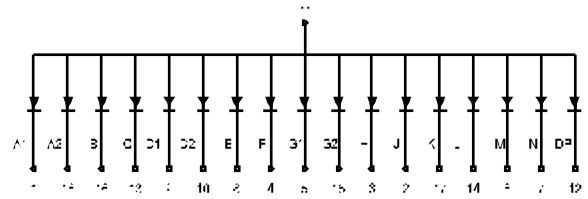
### BL-SA50X-13 Series



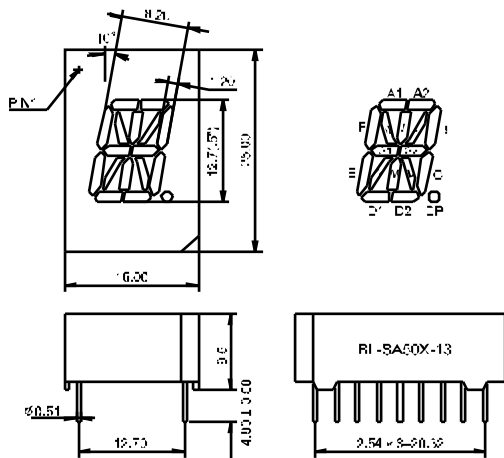
### BL-SA50A-13



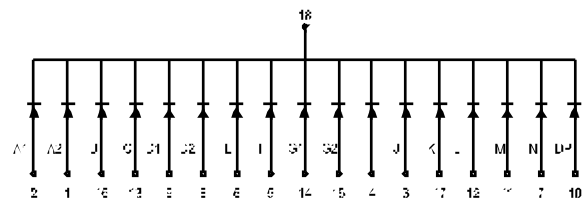
### BL-SA50B-13



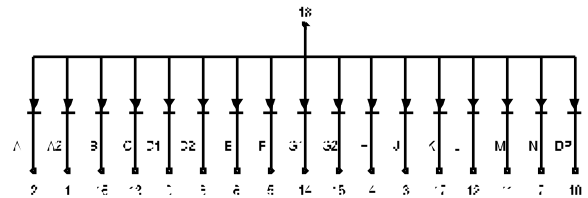
### BL-SA50X-13 Series



### BL-SA50C-13

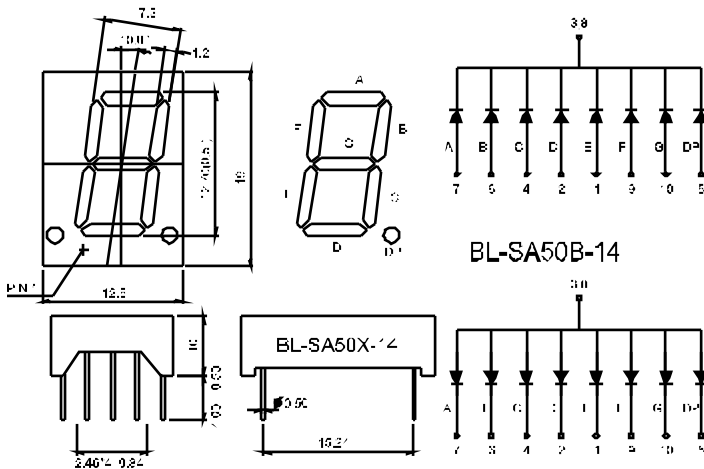


### BL-SA50D-13



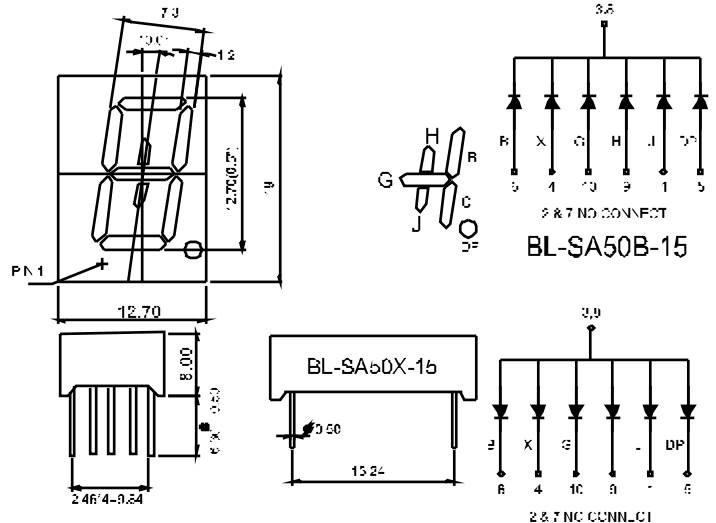
### BL-SA50X-14 Series

### BL-SA50A-14



### BL-SA50X-15 Series

### BL-SA50A-15

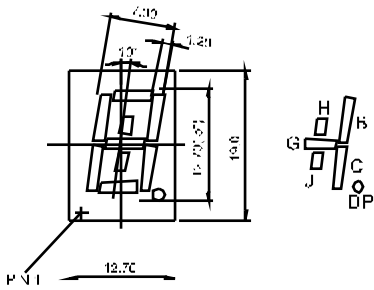


All dimensions are in millimeters (inches)  
Tolerance is  $\pm 0.25(0.01)$  unless otherwise noted.  
Specifications are subject to change without notice.

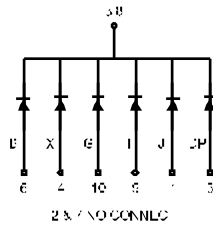
# LED Component

## SINGLE DIGIT DISPLAY

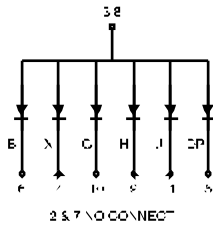
BL-SA50X-16 Series



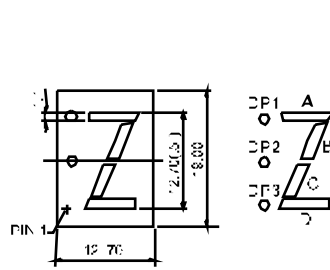
BL-SA50A-16



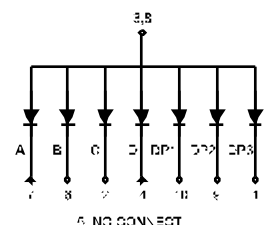
BL-SA50B-16



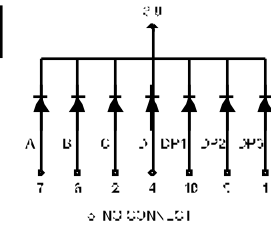
BL-SA50X-17 Series



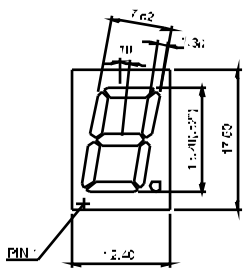
BL-SA50A-17



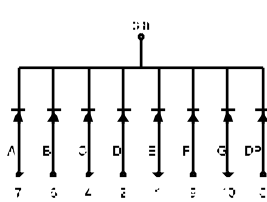
BL-SA50B-17



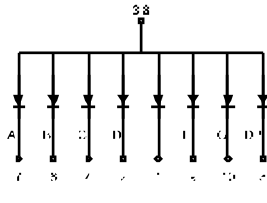
BL-S52X-11 Series



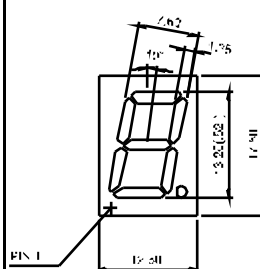
BL-S52A-11



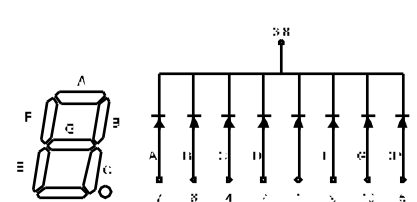
BL-S52B-11



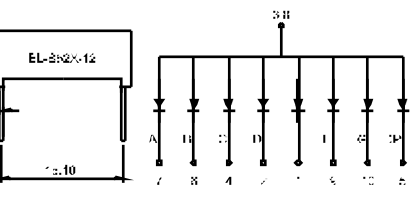
BL-S52X-12 Series



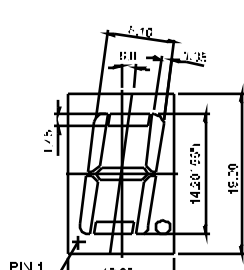
BL-S52A-12



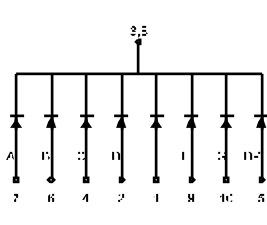
BL-S52B-12



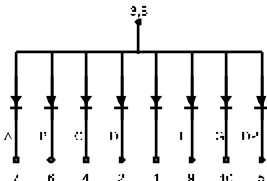
BL-S56X-11 Series



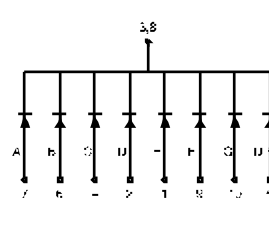
BL-S56A-11



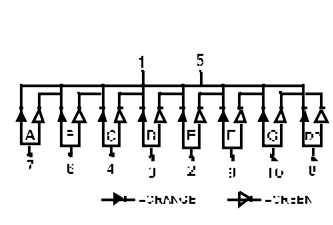
BL-S56B-11



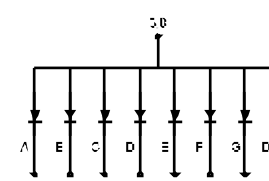
BL-S56C-11



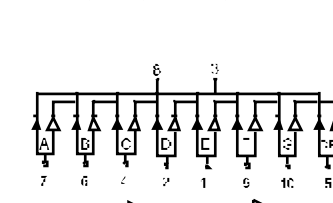
BL-S56A-11EG



BL-S56D-11



BL-S56C-11EG

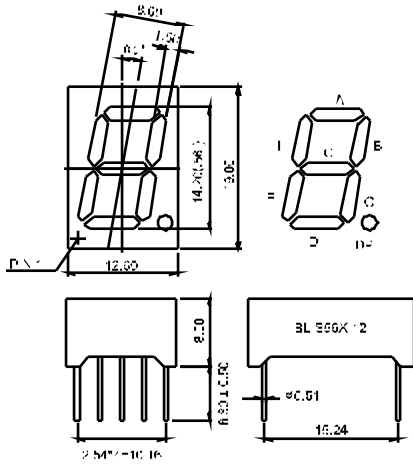


All dimensions are in millimeters (inches)  
Tolerance is  $\pm 0.25(0.01)$  unless otherwise noted.  
Specifications are subject to change without notice.

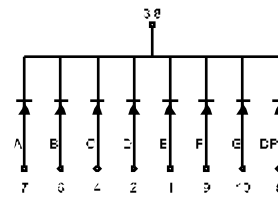
# LED Component

## SINGLE DIGIT DISPLAY

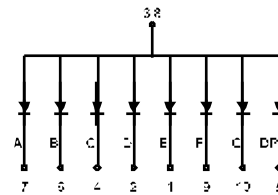
BL-S56X-12 Series



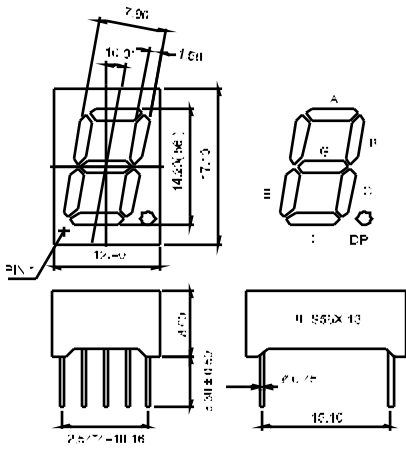
BL-S56A-12



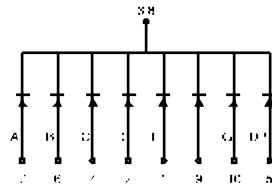
BL-S56B-12



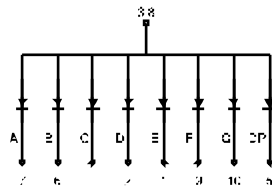
BL-S56X-13 Series



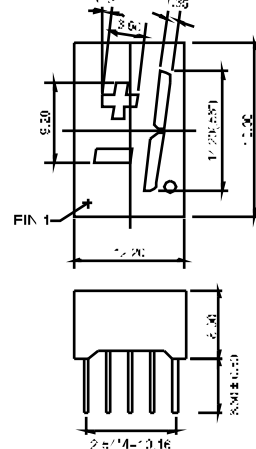
BL-S56A-13



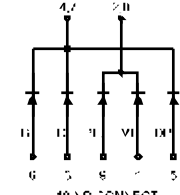
BL-S56B-13



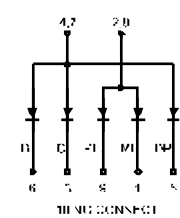
BL-S56X-14 Series



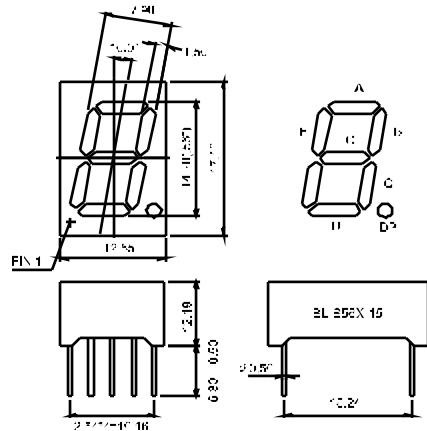
BL-S56A-14



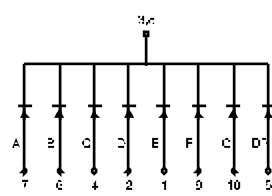
BL-S56B-14



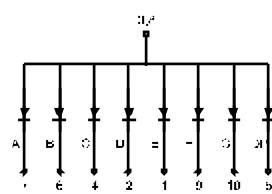
BL-S56X-15 Series



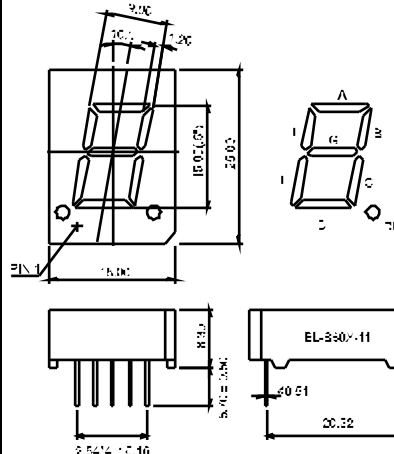
BL-S56A-15



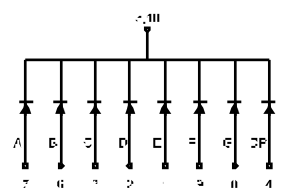
BL-S56B-15



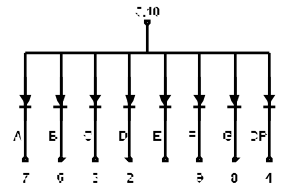
BL-S60X-11 Series



BL-S60A-11



BL-S60B-11



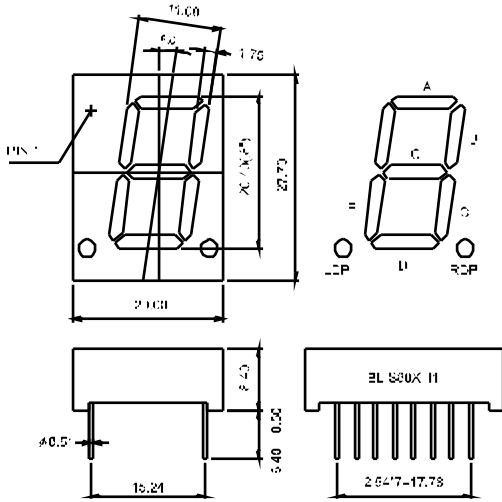
All dimensions are in millimeters (inches)  
Tolerance is  $\pm 0.25(0.01)$  unless otherwise noted.  
Specifications are subject to change without notice.



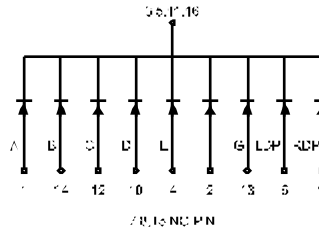
# LED Component

## SINGLE DIGIT DISPLAY

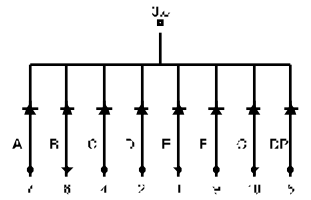
### BL-S80X-11 Series



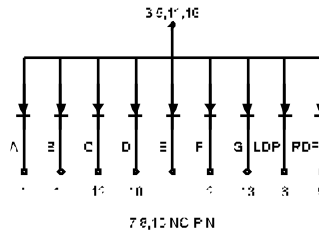
### BL-S80A-11



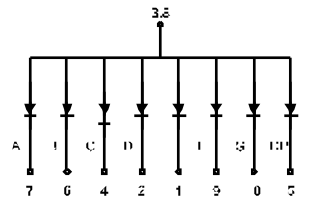
### BL-S80C-11



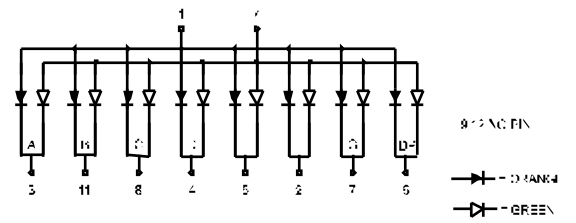
### BL-S80B-11



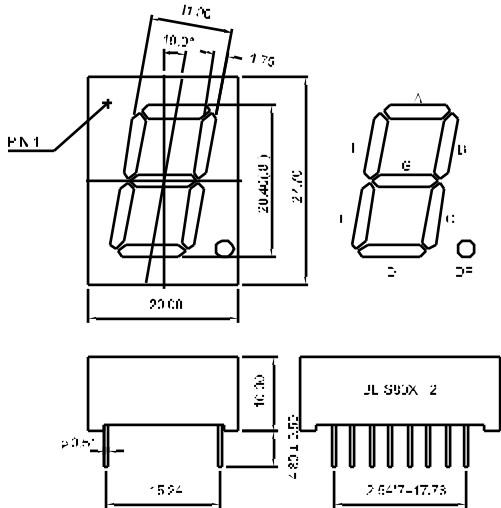
### BL-S80D-11



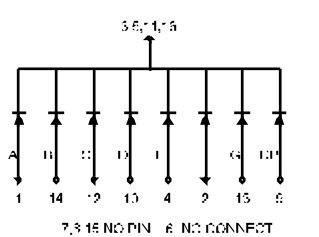
### BL-S80B-11EG (BL-S80A-11EG.C.C.)



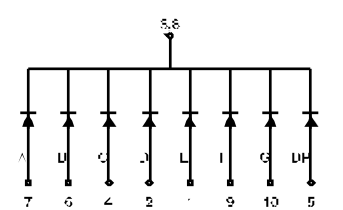
### BL-S80X-12 Series



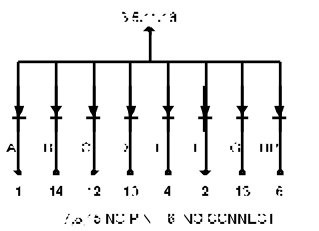
### BL-S80A-12



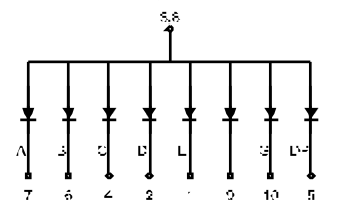
### BL-S80C-12



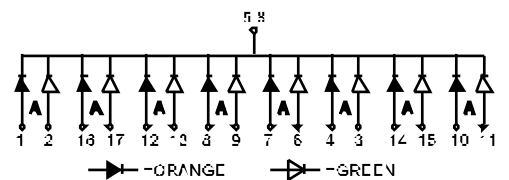
### BL-S80B-12



### BL-S80D-12



### BL-S80A-12EG (BL-S80B-12EG.C.C.)

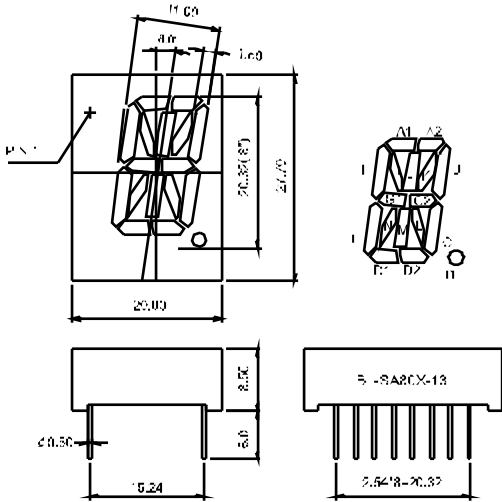


All dimensions are in millimeters (inches)  
Tolerance is ±0.25(0.01") unless otherwise noted.  
Specifications are subject to change without notice.

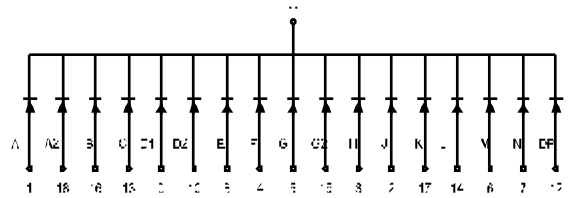
# LED Component

## SINGLE DIGIT DISPLAY

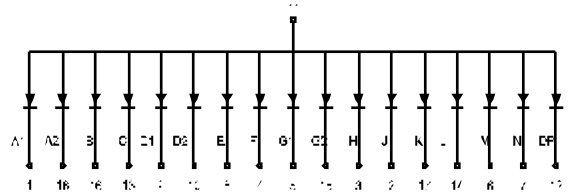
### BL-SA80X-13 Series



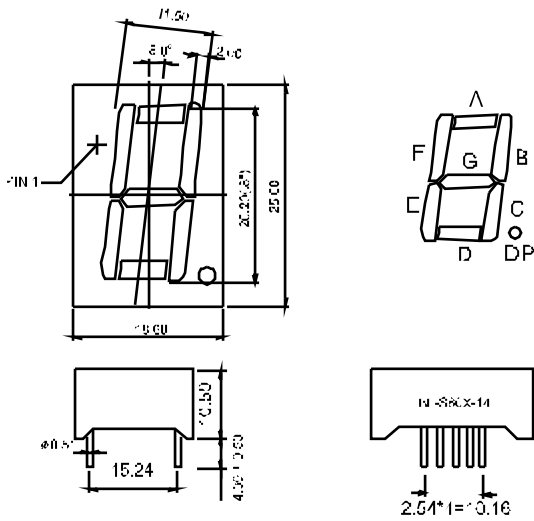
### BL-SA80A-13



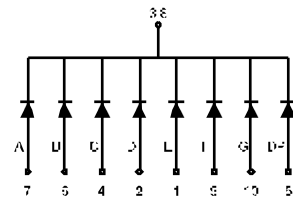
### BL-SA80B-13



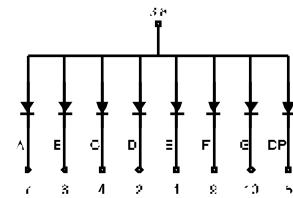
### BL-S80X-14 Series



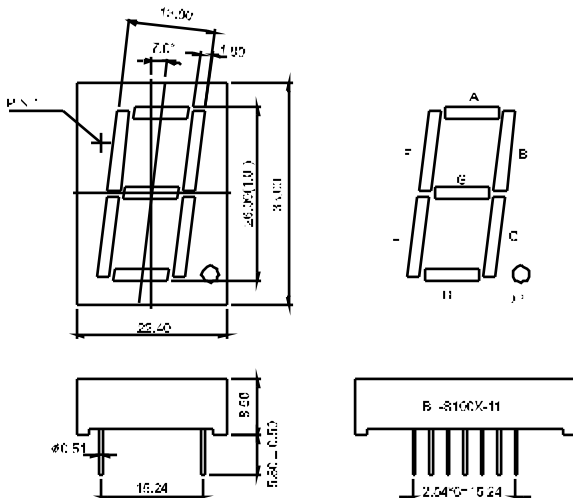
### BL-S80A-14



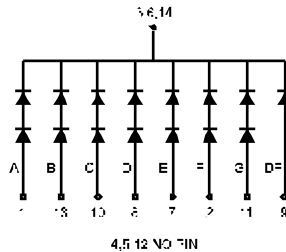
### BL-S80B-14



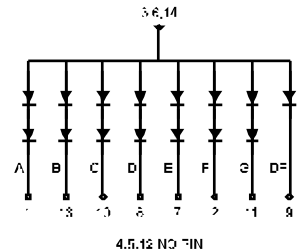
### BL-S100X-11 Series



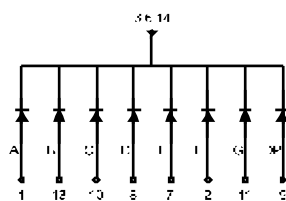
### BL-S100A-11



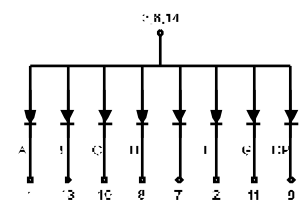
### BL-S100B-11



### BL-S100C-11



### BL-S100D-11

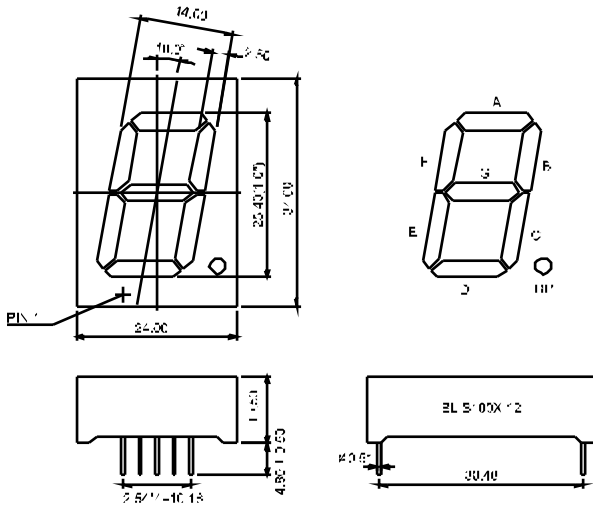


All dimensions are in millimeters (inches)  
Tolerance is  $\pm 0.25(0.01)$  unless otherwise noted.  
Specifications are subject to change without notice.

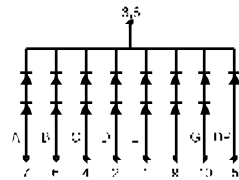
# LED Component

## SINGLE DIGIT DISPLAY

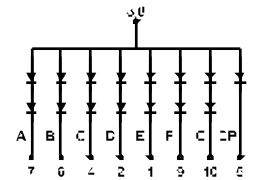
### BL-S100X-12 Series



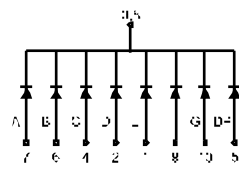
### BL-S100A-12



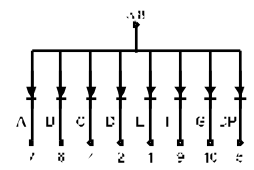
### BL-S100B-12



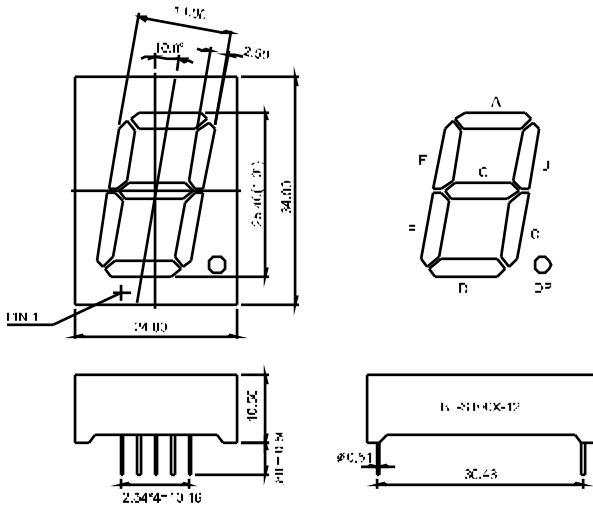
### BL-S100C-12



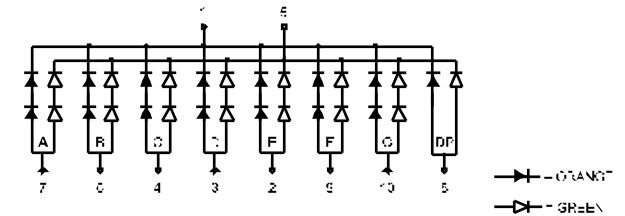
### BL-S100D-12



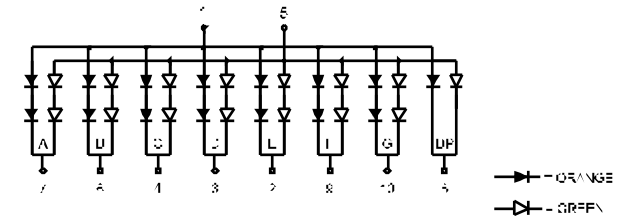
### BL-S100X-12 Series



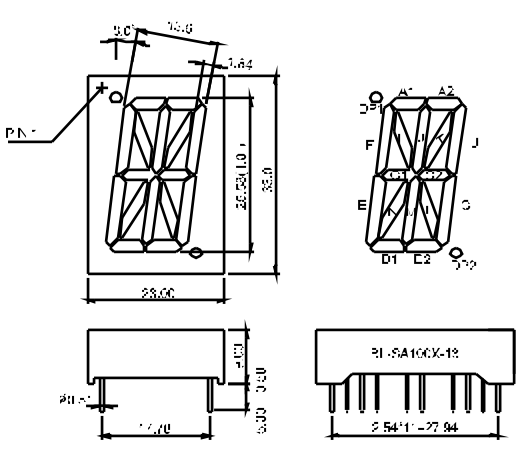
### BL-S100A-12EG



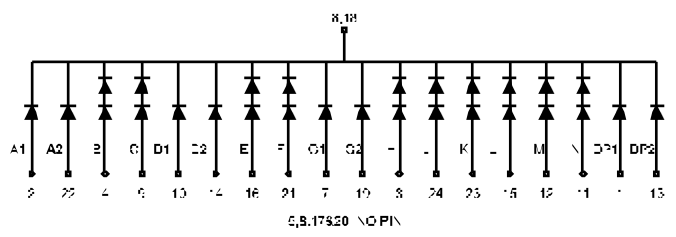
### BL-S100B-12EG



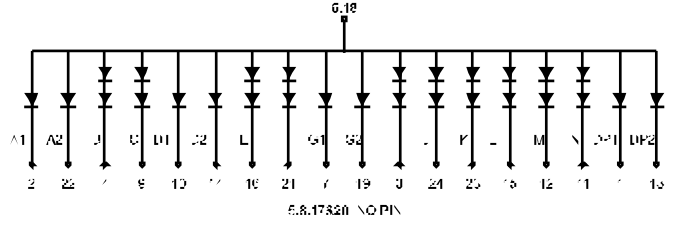
### BL-SA100X-13 Series



### BL-SA100A-13



### BL-SA100B-13

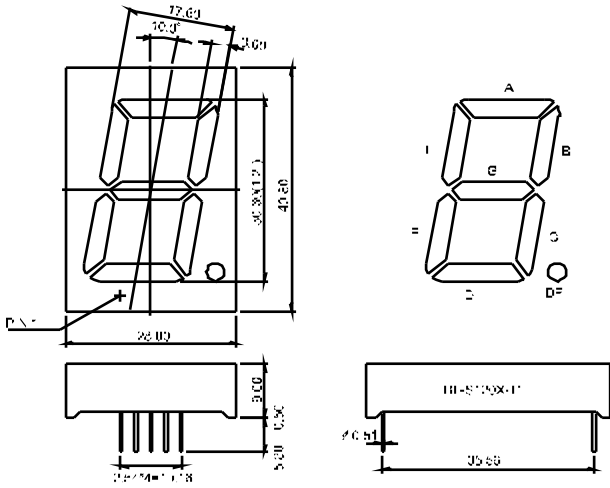


All dimensions are in millimeters (inches)  
Tolerance is  $\pm 0.25(0.01)$  unless otherwise noted.  
Specifications are subject to change without notice.

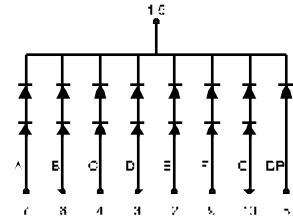
# LED Component

## SINGLE DIGIT DISPLAY

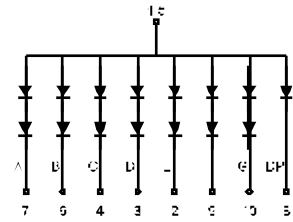
### BL-S120X-11 Series



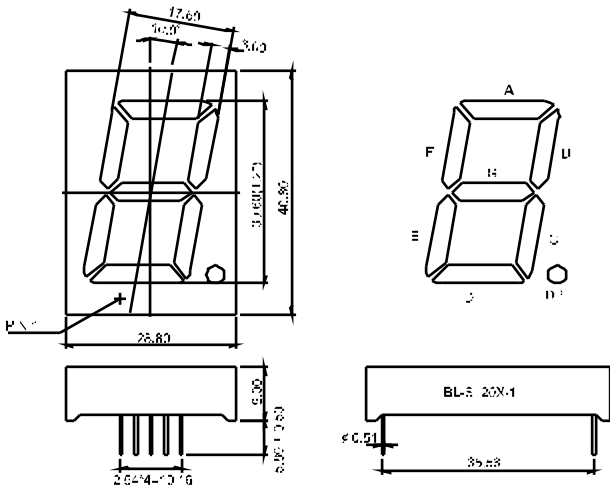
### BL-S120A-11



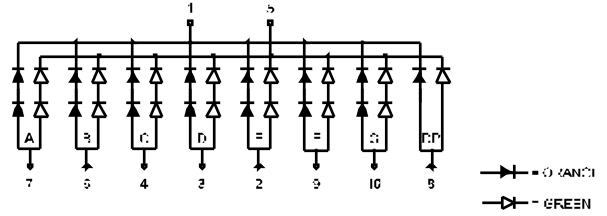
### BL-S120B-11



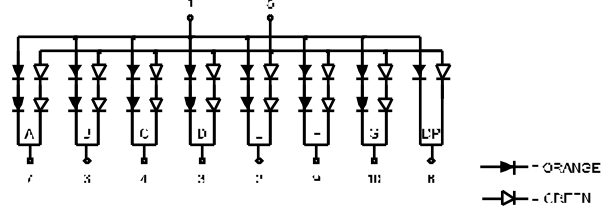
### BL-S120X-11 Series



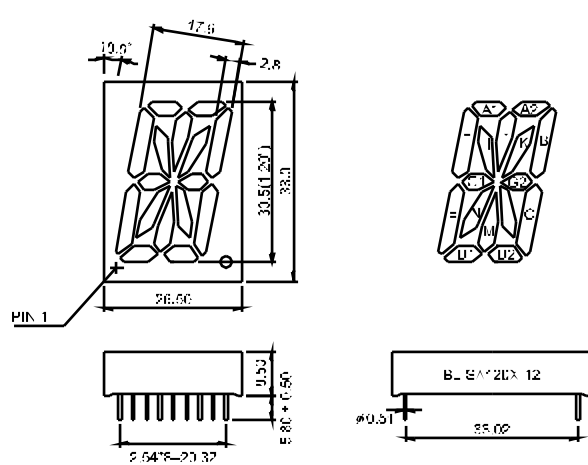
### BL-S120A-11EG



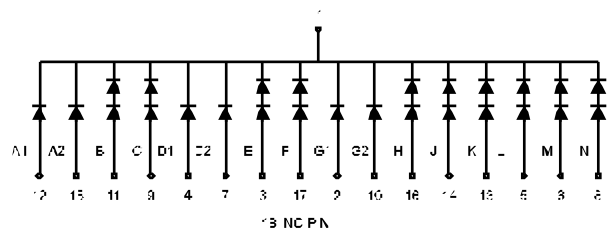
### BL-S120B-11EG



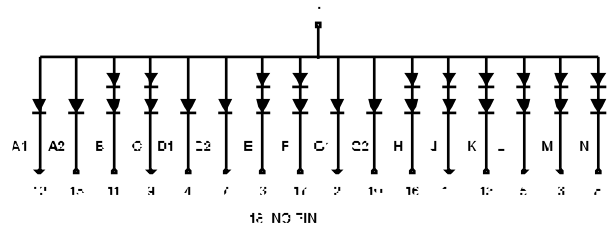
### BL-SA120X-12 Series



### BL-SA120A-12



### BL-SA120B-12

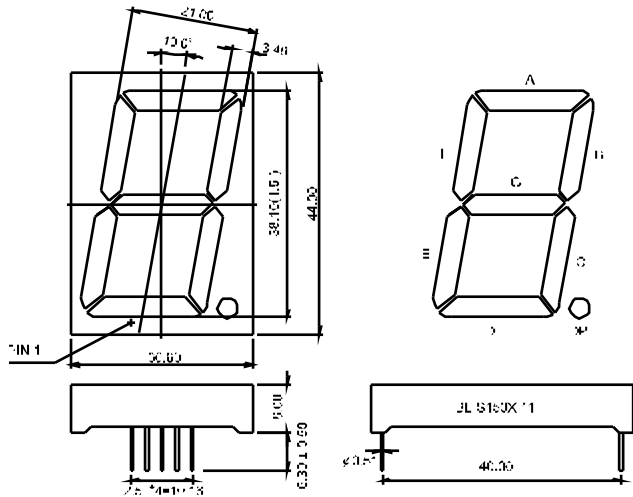


All dimensions are in millimeters (inches)  
Tolerance is  $\pm 0.25(0.01)$  unless otherwise noted.  
Specifications are subject to change without notice.

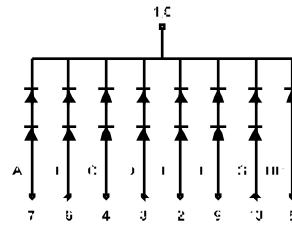
# LED Component

## SINGLE DIGIT DISPLAY

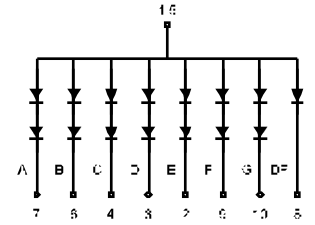
### BL-S150X-11 Series



### BL-S150A-11

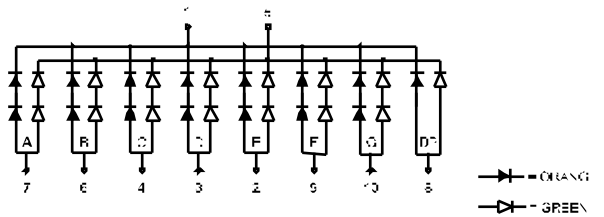


### BL-S150B-11

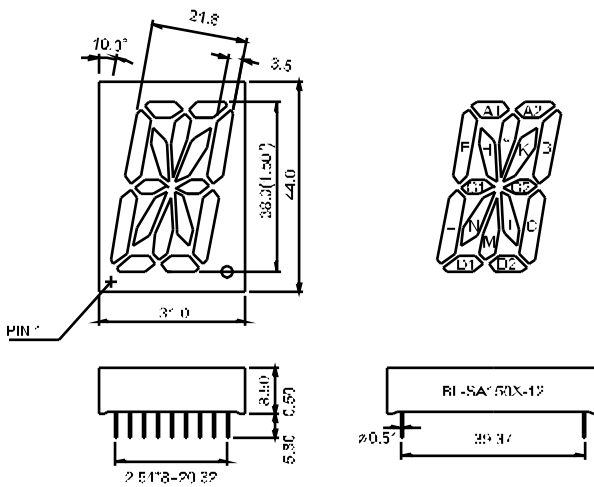


### BL-S150A-11EG

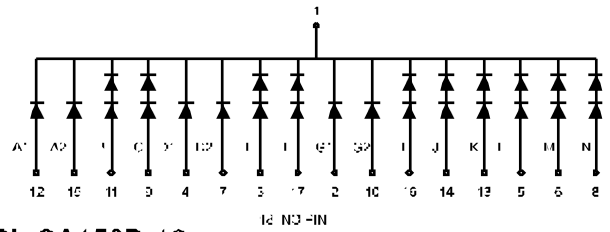
### (BL-S150B-11EG C.C.)



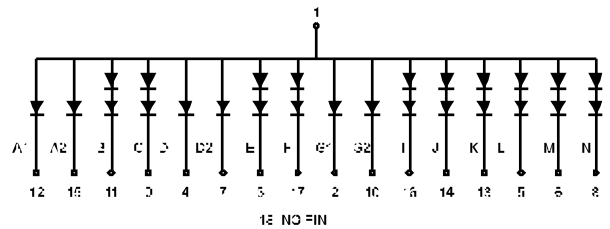
### BL-SA150X-12 Series



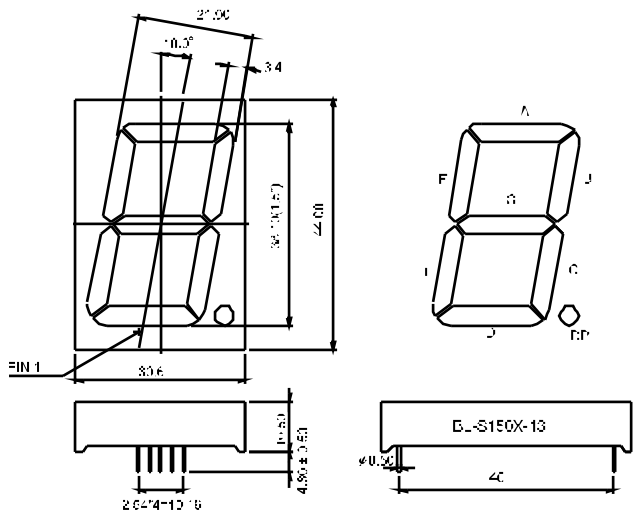
### BL-SA150A-12



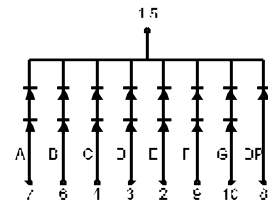
### BL-SA150B-12



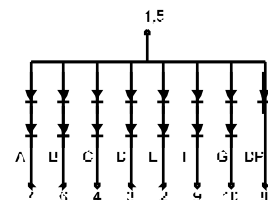
### BL-S150X-13 Series



### BL-S150A-13



### BL-S150B-13

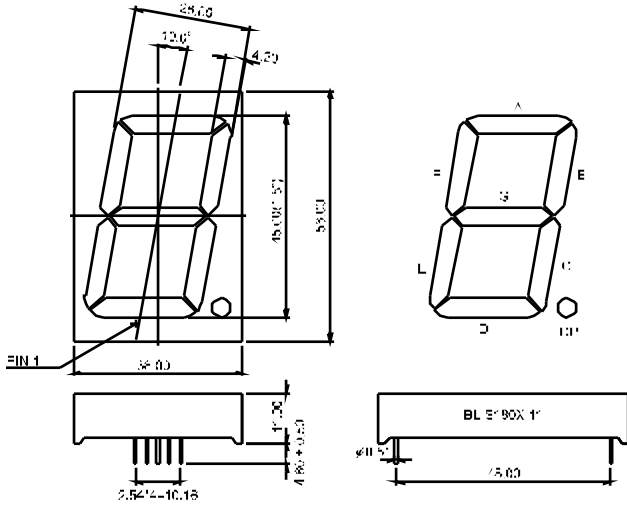


All dimensions are in millimeters (inches)  
Tolerance is  $\pm 0.25(0.01)$  unless otherwise noted.  
Specifications are subject to change without notice.

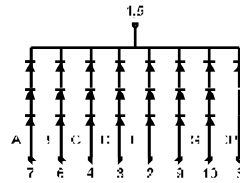
# LED Component

## SINGLE DIGIT DISPLAY

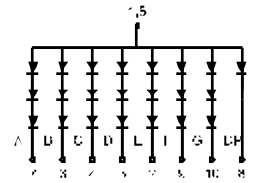
### BL-S180X-11 series



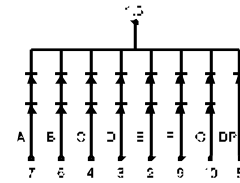
### BL-S180A-11



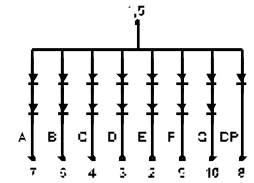
### BL-S180B-11



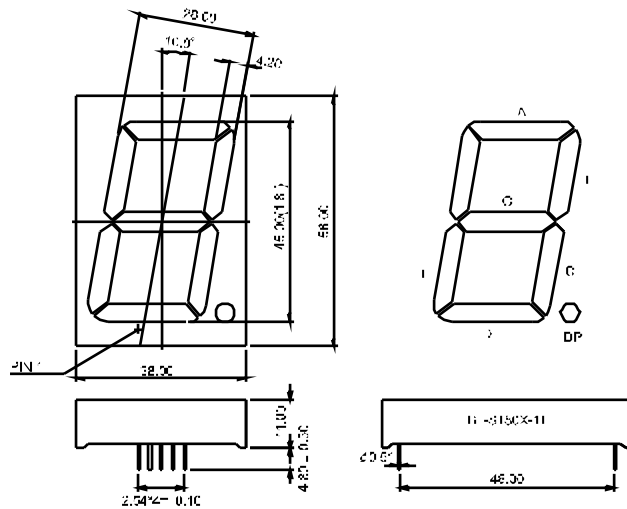
### BL-S180C-11



### BL-S180D-11

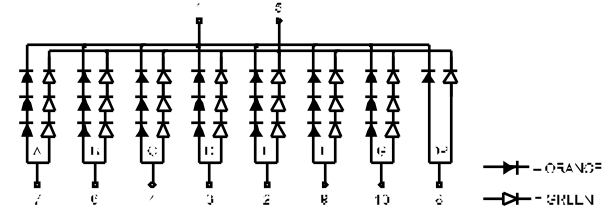


### BL-S180X-11 series



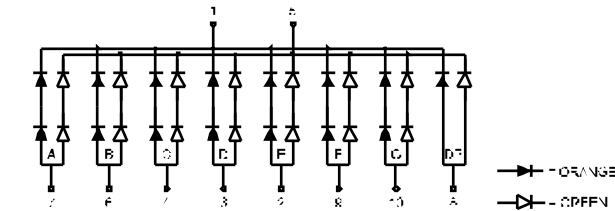
### BL-S180A-11EG

### (BL-S180B-11EG C.C)

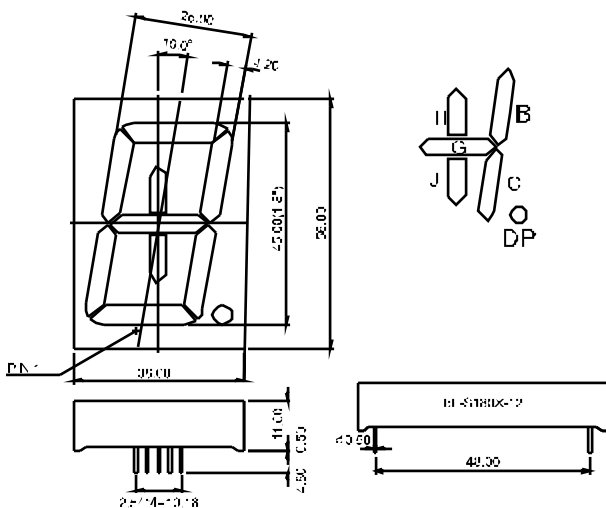


### BL-S180C-11EG

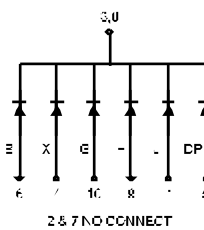
### (BL-S180D-11EG C.C)



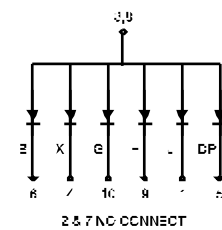
### BL-SA180X-12 Series



### BL-SA180A-12



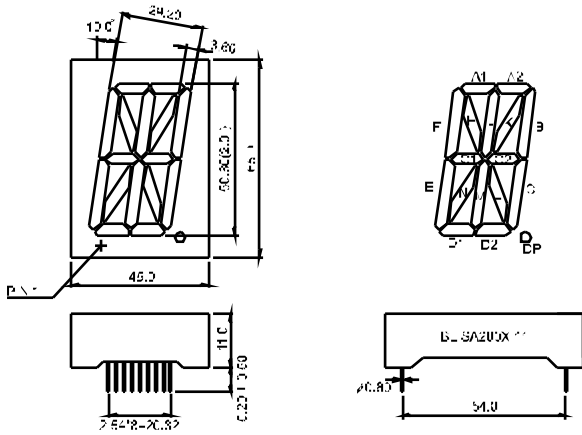
### BL-SA180B-12



# LED Component

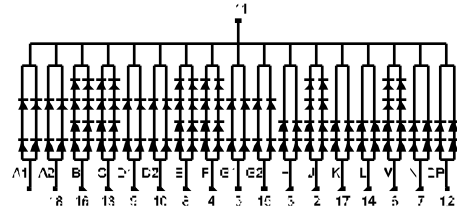
## SINGLE DIGIT DISPLAY

### BL-SA200X-11 Series



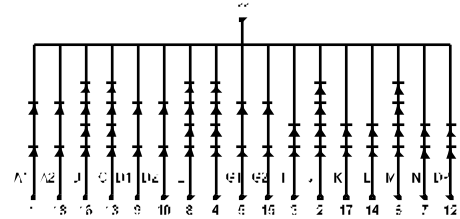
### BL-SA200A-11

### (BL-SA200B-11 C.C.)

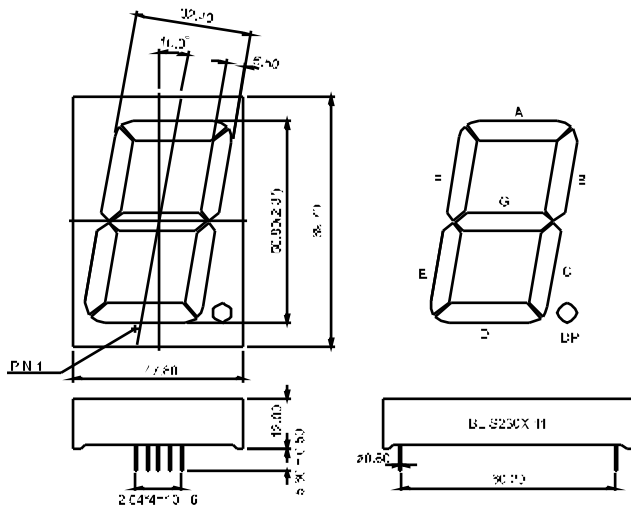


### BL-S200C-11

### (BL-S200D-11 C.C.)

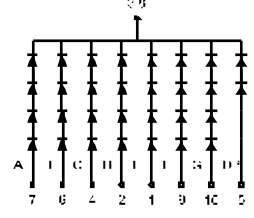
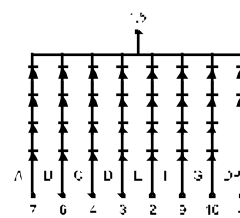


### BL-S230X-11 Series



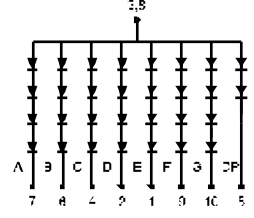
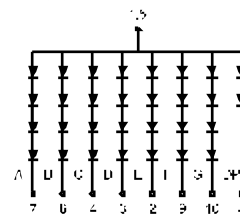
### BL-S230A-11

### BL-S230C-11

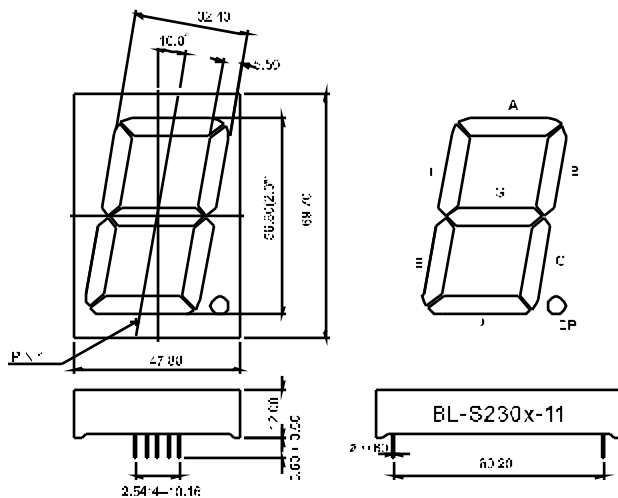


### BL-S230B-11

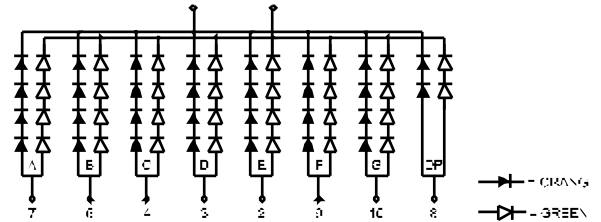
### BL-S230D-11



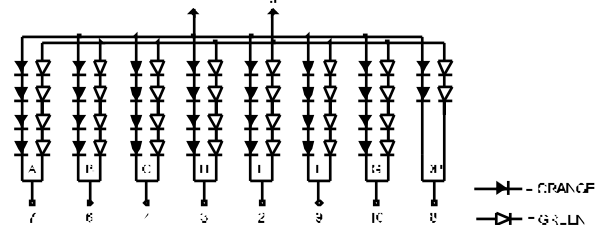
### BL-S230X-11 Series



### BL-S230A-11EG



### BL-S230B-11EG

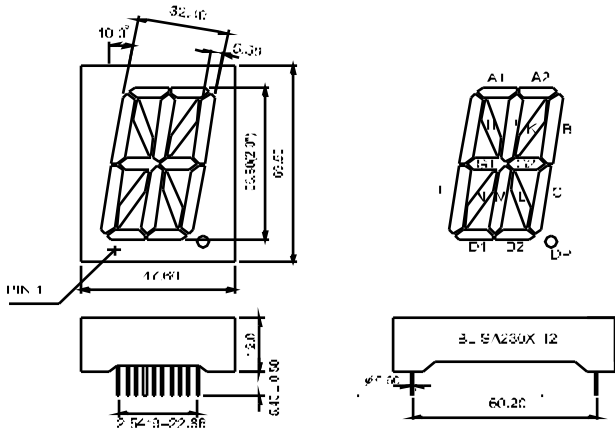


All dimensions are in millimeters (inches)  
Tolerance is  $\pm 0.25(0.01)$  unless otherwise noted.  
Specifications are subject to change without notice.

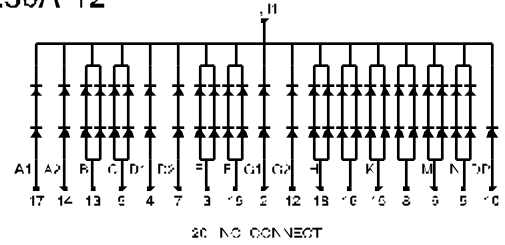
# LED Component

## SINGLE DIGIT DISPLAY

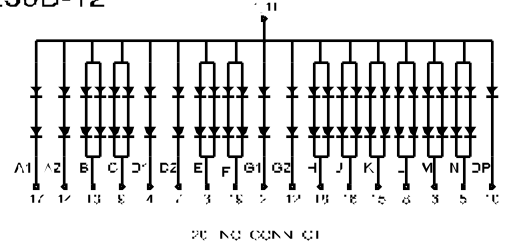
### BL-SA230X-12 Series



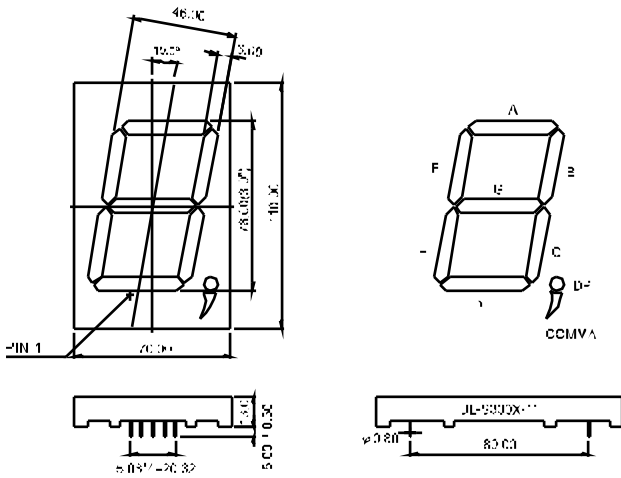
### BL-SA230A-12



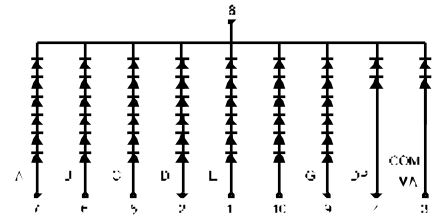
### BL-SA230B-12



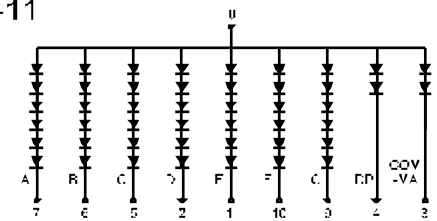
### BL-S300X-11 Series



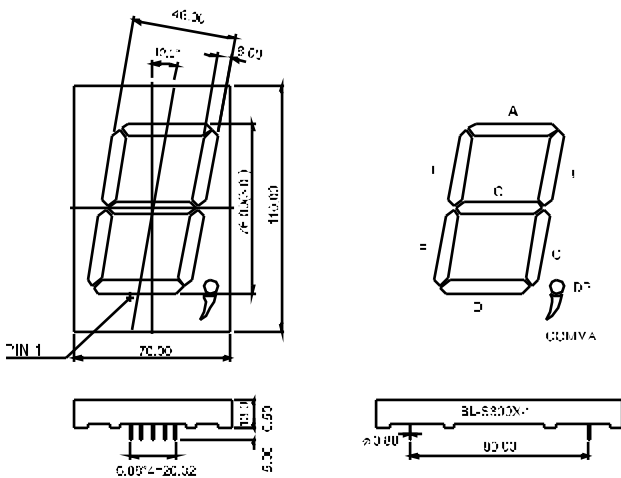
### BL-S300A-11



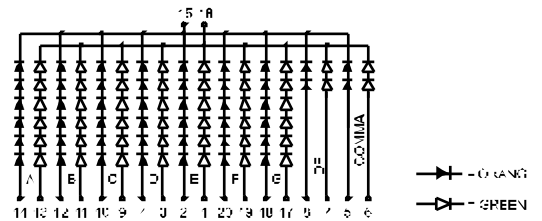
### BL-S300B-11



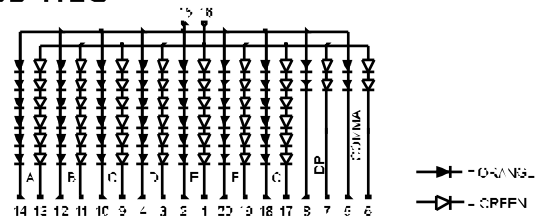
### BL-S300X-11 Series



### BL-S300A-11EG



### BL-S300B-11EG



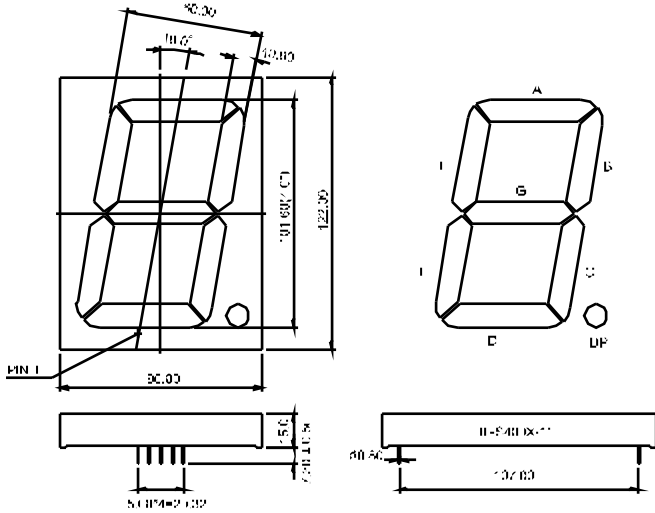
All dimensions are in millimeters (inches)  
Tolerance is  $\pm 0.25(0.01)$  unless otherwise noted.  
Specifications are subject to change without notice.



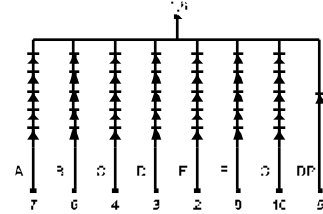
# LED Component

## SINGLE DIGIT DISPLAY

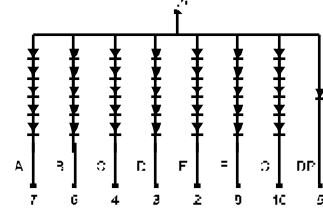
### BL-S400X-11 Series



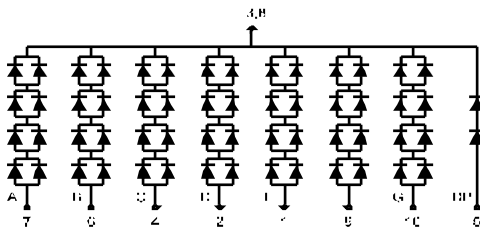
### BL-S400A-11



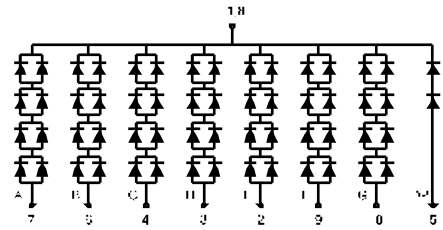
### BL-S400B-11



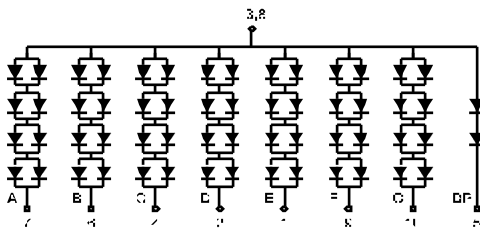
### BL-S400E-11



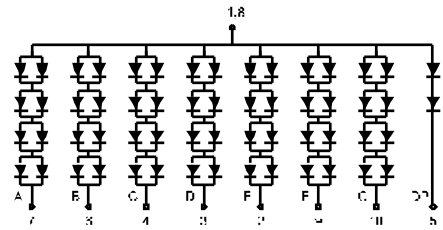
### BL-S400C-11



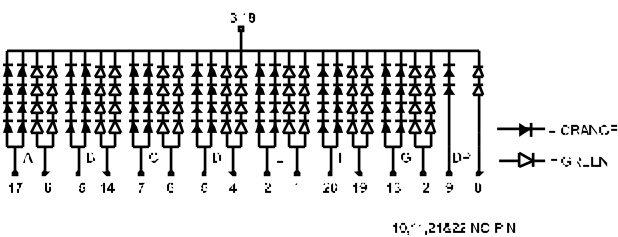
### BL-S400F-11



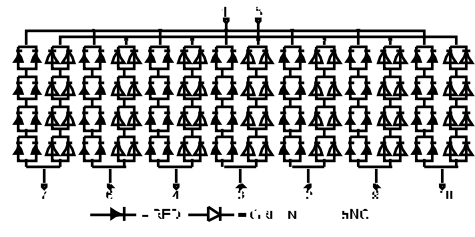
### BL-S400D-11



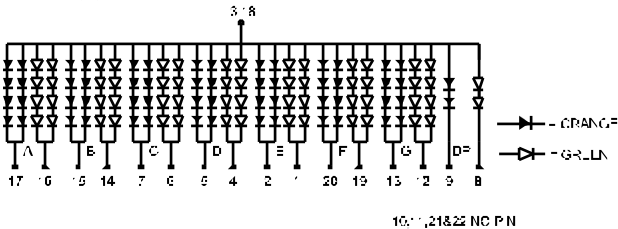
### BL-S400A-11EG



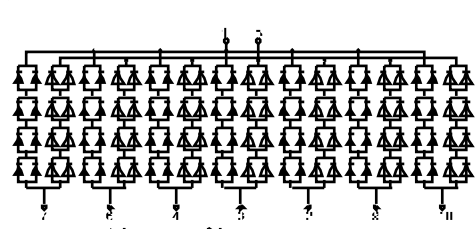
### BL-S400C-11EG



### BL-S400B-11EG



### BL-S400D-11EG

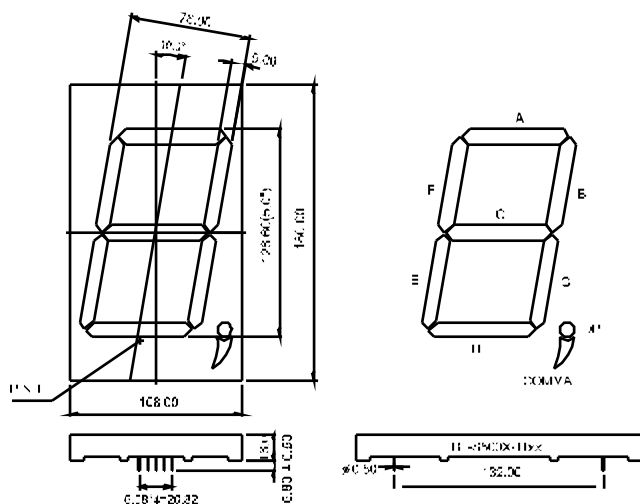


All dimensions are in millimeters (inches)  
Tolerance is  $\pm 0.25(0.01)$  unless otherwise noted.  
Specifications are subject to change without notice.

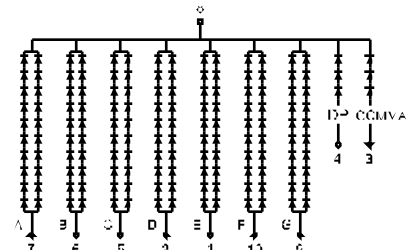
# LED Component

## SINGLE DIGIT DISPLAY

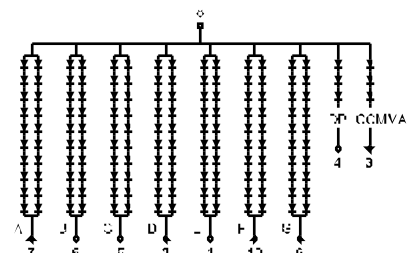
### BL-S500X-11 Series



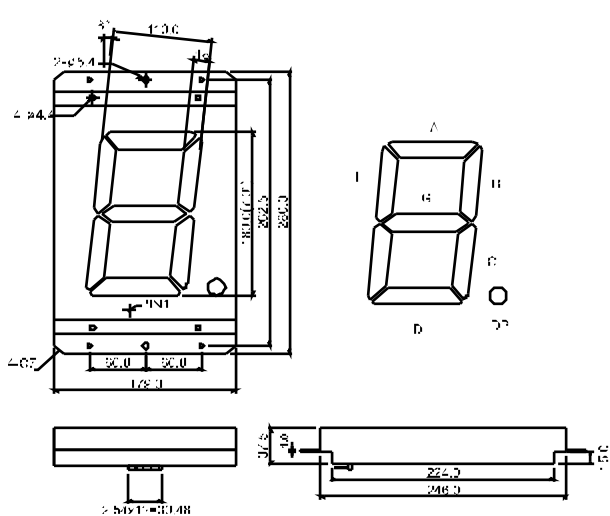
### BL-S500A-11



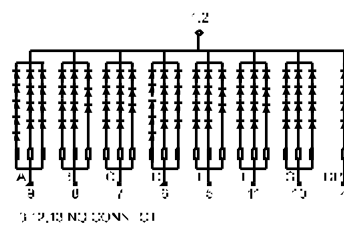
### BL-S500B-11



### BL-S700X-11 Series



### BL-S700A-11



### BL-S700B-11

