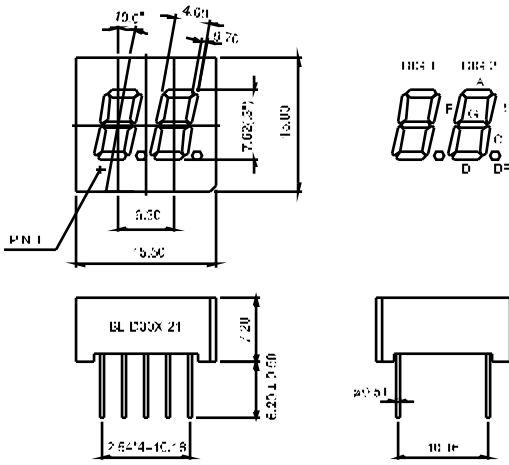


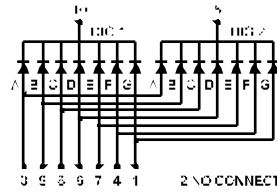
# LED Component

## DUAL DIGIT DISPLAY

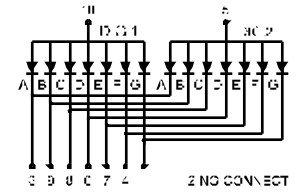
### BL-D30X-21 Series



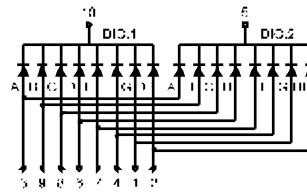
### BL-D30A-21



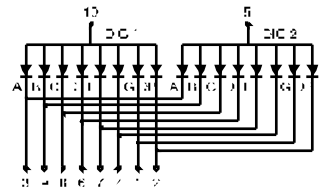
### BL-D30B-21



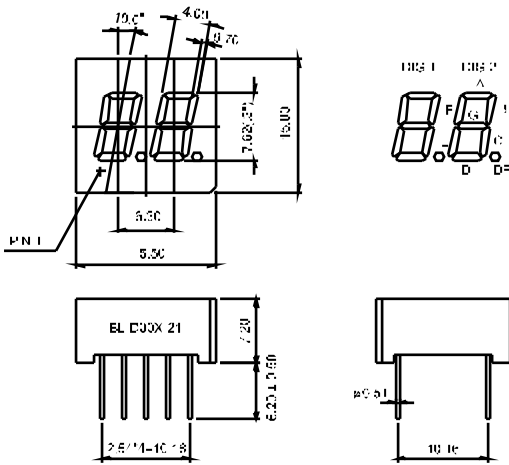
### BL-D30C-21



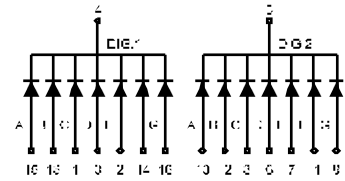
### BL-D30D-21



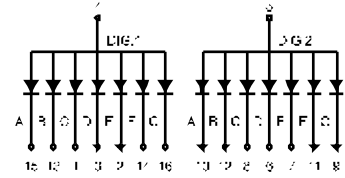
### BL-D30X-21 Series



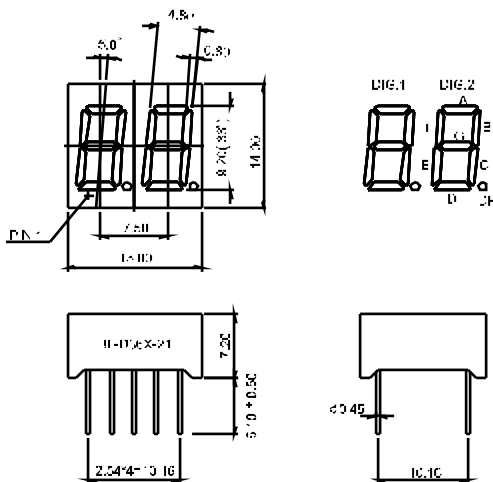
### BL-D30E-21



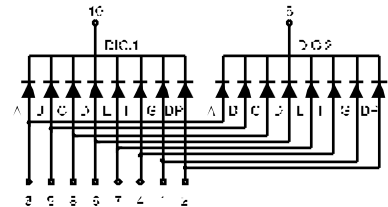
### BL-D30F-21



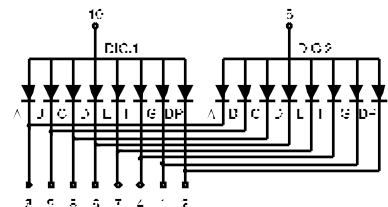
### BL-D36X-21 Series



### BL-D36A-21



### BL-D36B-21

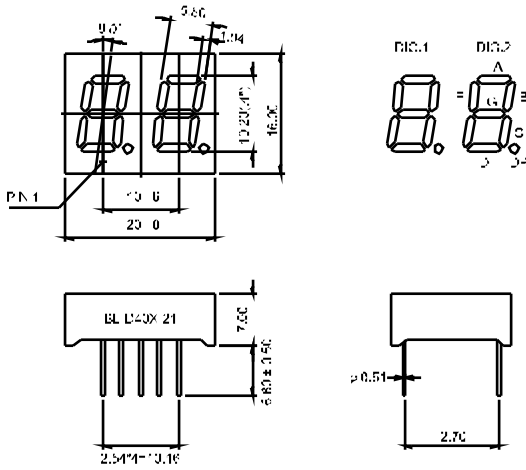


All dimensions are in millimeters (inches)  
Tolerance is  $\pm 0.25(0.01)$  unless otherwise noted.  
Specifications are subject to change without notice.

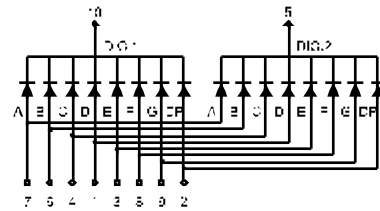
# LED Component

## DUAL DIGIT DISPLAY

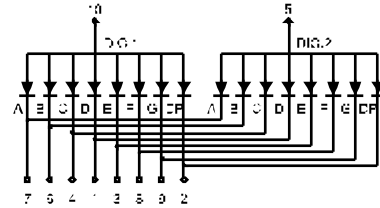
### BL-D40X-21 Series



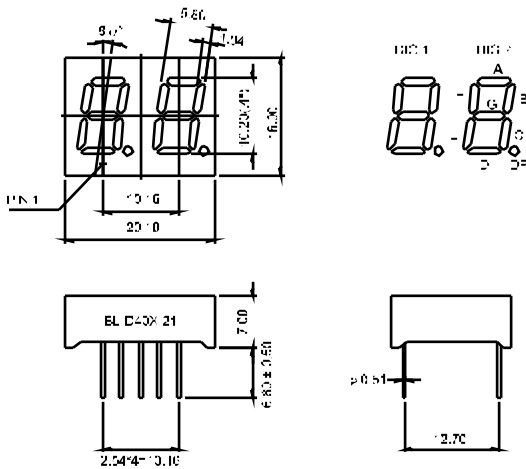
### BL-D40A-21



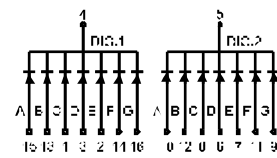
### BL-D40B-21



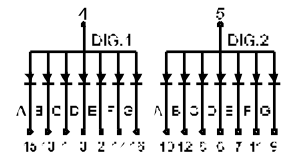
### BL-D40X-21 Series



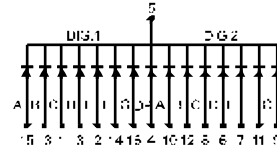
### BL-D40C-21



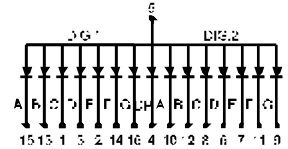
### BL-D40D-21



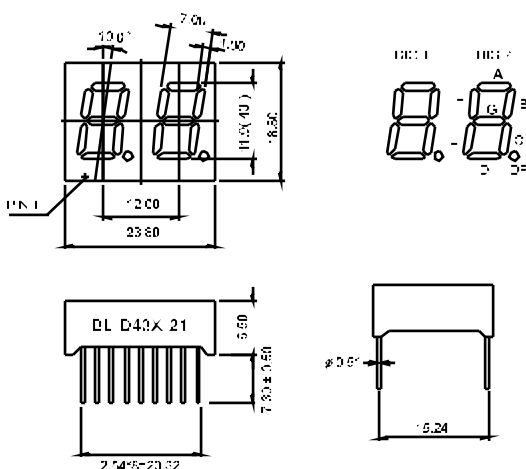
### BL-D40E-21



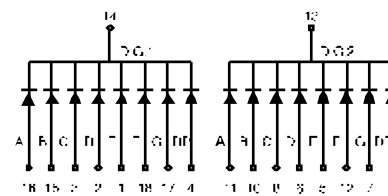
### BL-D40F-21



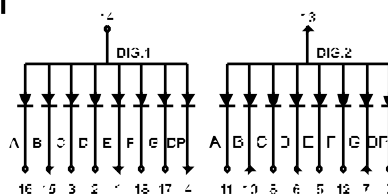
### BL-D43X-21 Series



### BL-D43A-21



### BL-D43B-21

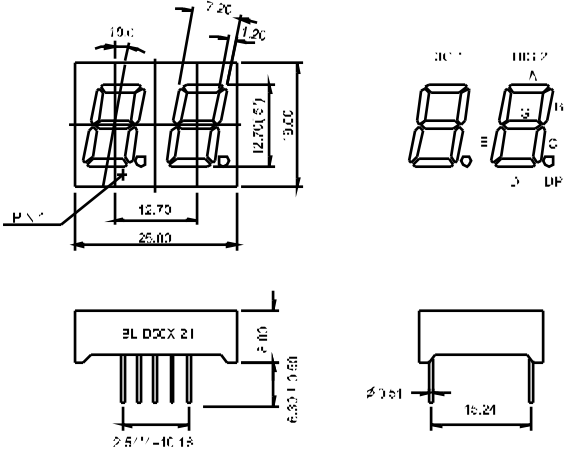


All dimensions are in millimeters (inches)  
Tolerance is  $\pm 0.25(0.01)$  unless otherwise noted.  
Specifications are subject to change without notice.

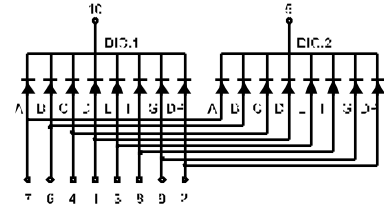
# LED Component

## DUAL DIGIT DISPLAY

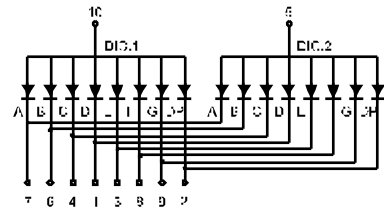
### BL-D50X-21 Series



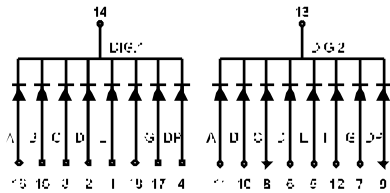
### BL-D50A-21



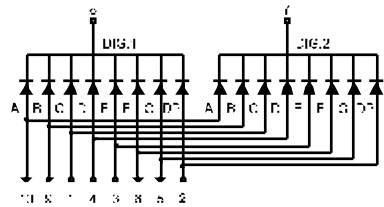
### BL-D50B-21



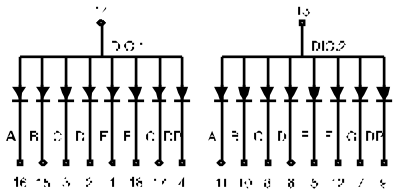
### BL-D50C-21



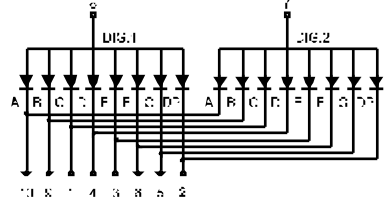
### BL-D50E-21



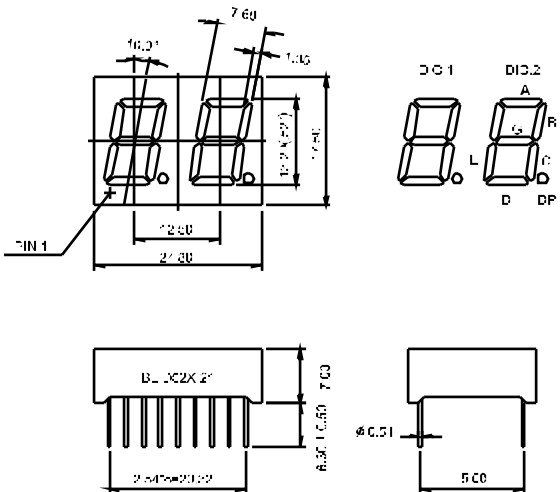
### BL-D50D-21



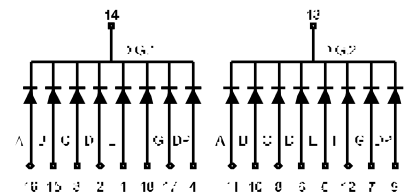
### BL-D50F-21



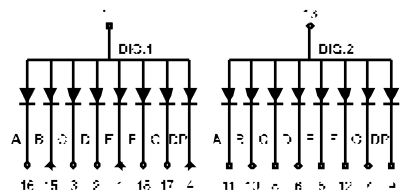
### BL-D52X-21 Series



### BL-D52A-21



### BL-D52B-21

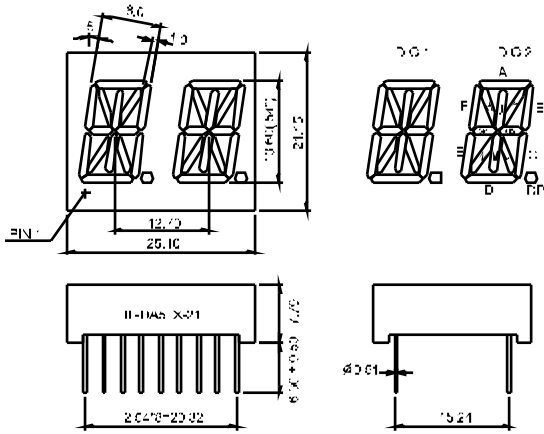


All dimensions are in millimeters (inches)  
Tolerance is  $\pm 0.25(0.01)$  unless otherwise noted.  
Specifications are subject to change without notice.

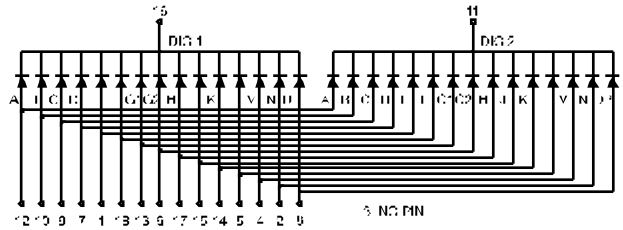
# LED Component

## DUAL DIGIT DISPLAY

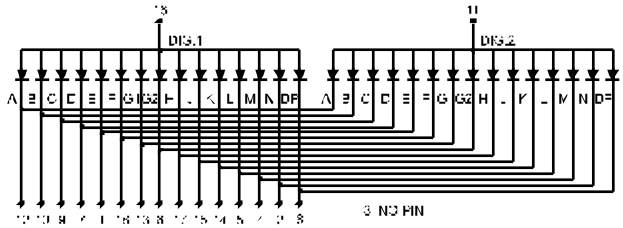
### BL-DA54X-21 Series



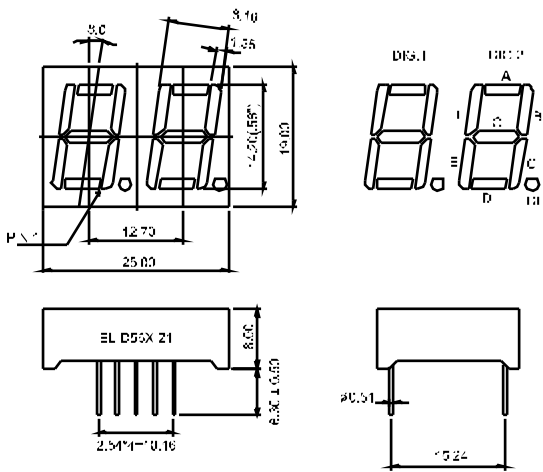
### BL-D54A-21



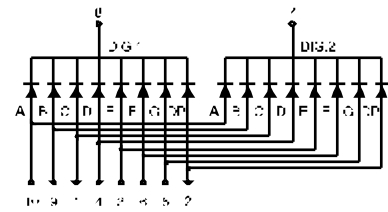
### BL-D54B-21



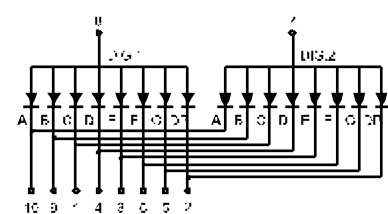
### BL-D56X-21 Series



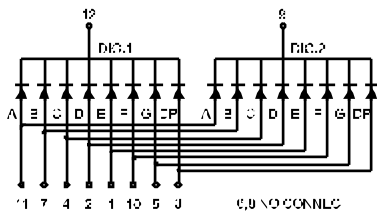
### BL-D56A-21



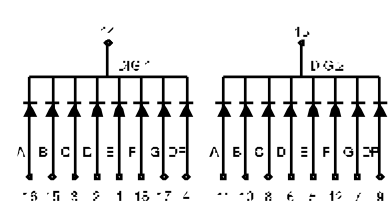
### BL-D56B-21



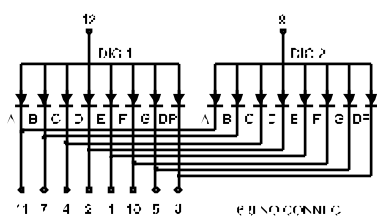
### BL-D56C-21



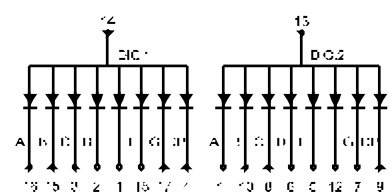
### BL-D56E-21



### BL-D56D-21



### BBL-D56F-21

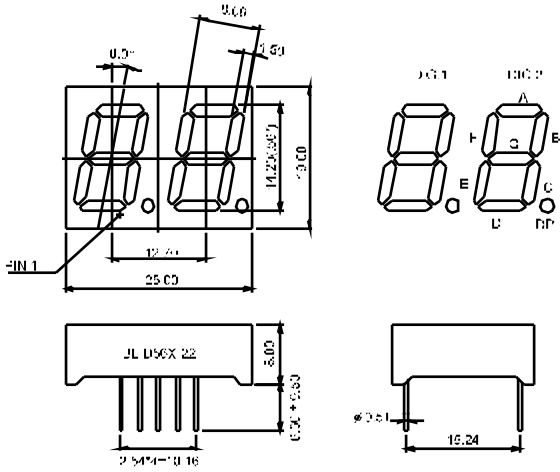


All dimensions are in millimeters (inches)  
Tolerance is  $\pm 0.25(0.01)$  unless otherwise noted.  
Specifications are subject to change without notice.

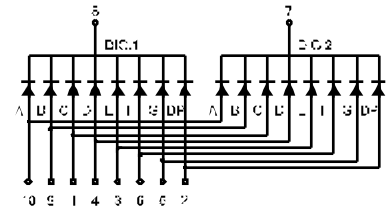
# LED Component

## DUAL DIGIT DISPLAY

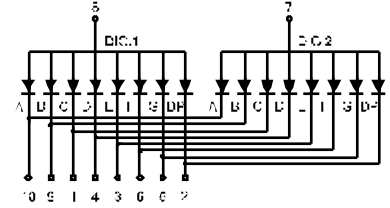
### BL-D56X-22 Series



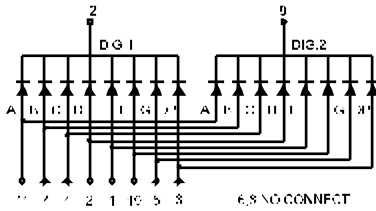
### BL-D56A-22



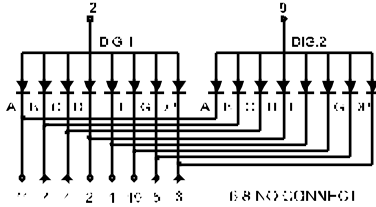
### BL-D56B-22



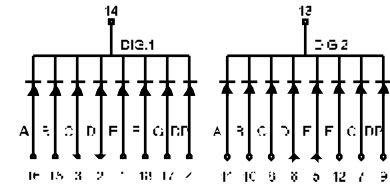
### BL-D56C-22



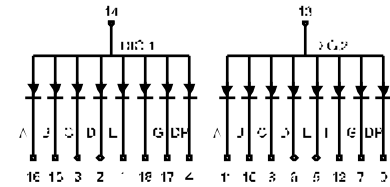
### BL-D56D-22



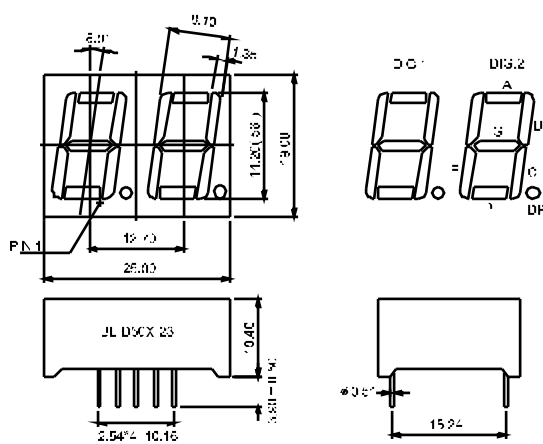
### BL-D56E-22



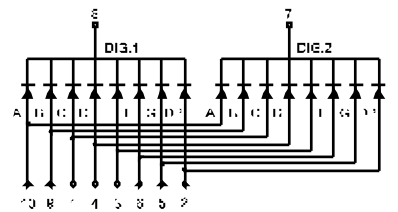
### BL-D56F-22



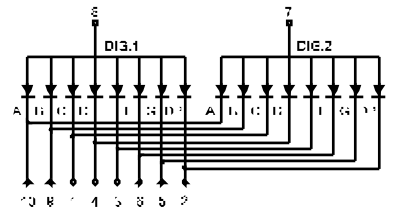
### BL-D56X-23 Series



### BL-D56A-23



### BL-D56B-23

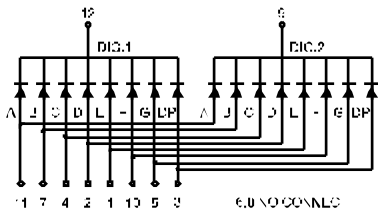


All dimensions are in millimeters (inches)  
Tolerance is  $\pm 0.25(0.01)$  unless otherwise noted.  
Specifications are subject to change without notice.

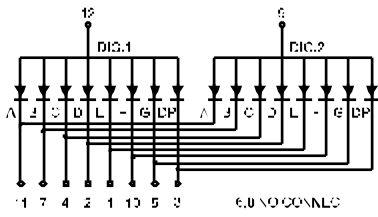
# LED Component

## DUAL DIGIT DISPLAY

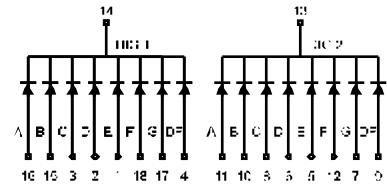
BL-D56C-23



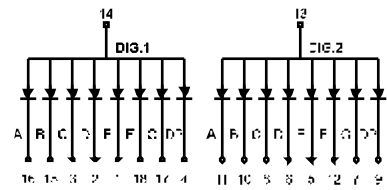
BL-D56D-23



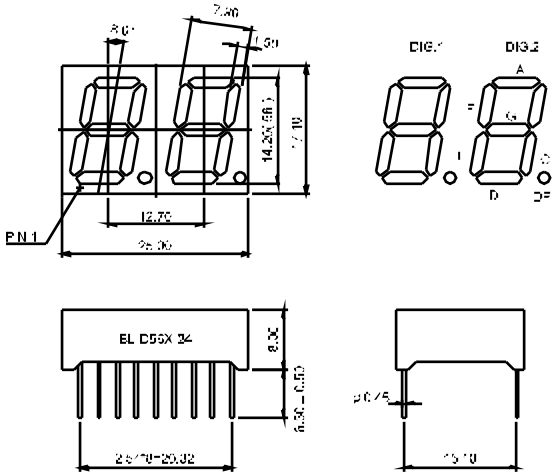
BL-D56E-23



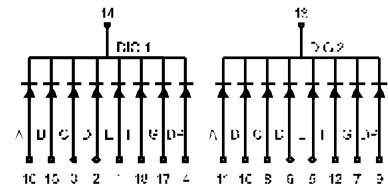
BL-D56F-23



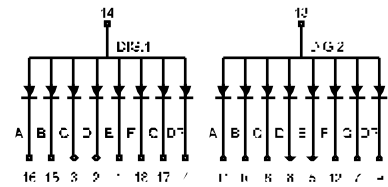
BL-D56X-24 Series



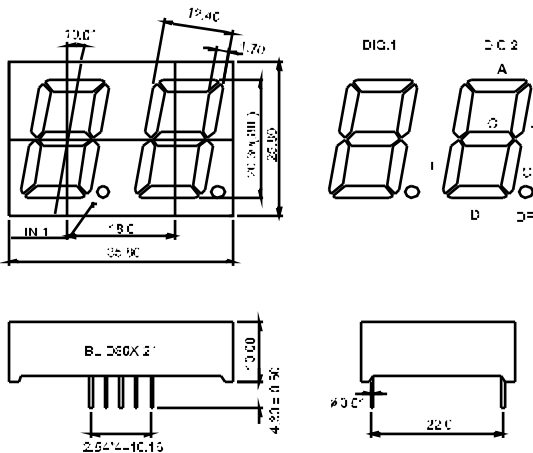
BL-D56A-24



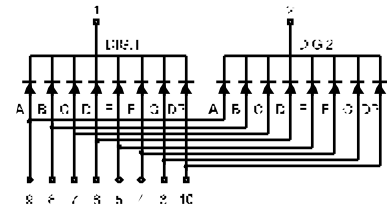
BL-D56B-24



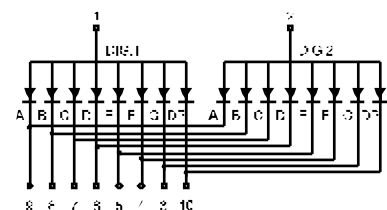
BL-D80X-21 Series



BL-D80A-21



BL-D80B-21

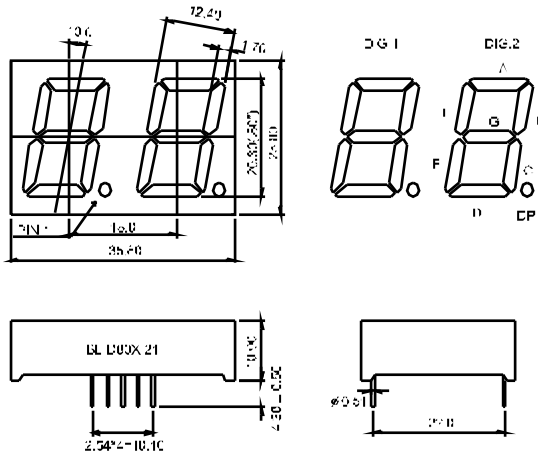


All dimensions are in millimeters (inches)  
Tolerance is  $\pm 0.25(0.01)$  unless otherwise noted.  
Specifications are subject to change without notice.

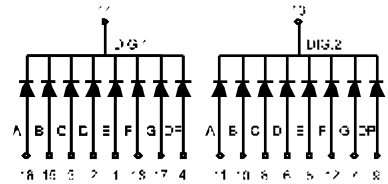
# LED Component

## DUAL DIGIT DISPLAY

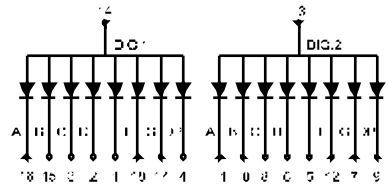
### BL-D80X-21 Series



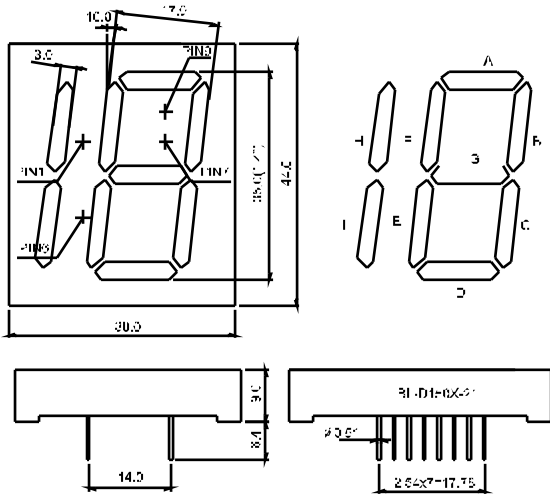
### BL-D80C-21



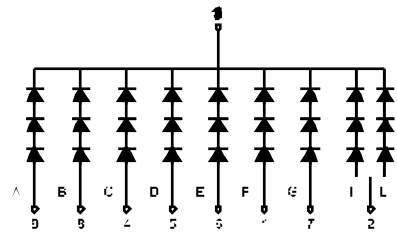
### BL-D80D-21



### BL-D150X-21 Series



### BL-D150A-21



### BL-D150B-21

